

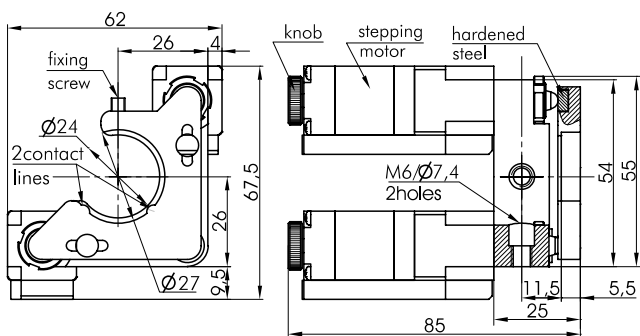
Motorized Kinematic Mirror/Beamsplitter Mounts

8MBM24



8MBM24-1-2

- 1" optics mounts
- Tilt range 9° (about two axes)
- Travel range 4 mm
- Mounting on either of 2 sides
- Two models – round and square aperture
- Kinematic
- Clear edge design
- A motorized actuator 8CMA20-8/15 pushes via seat of hardened stainless steel
- Black anodized aluminium
- 2", 3" models available 8MBM24-2, 8MBM24-3



Modified Optical Positioners with Motorized Actuator 8CMA20-8/15 are available

more info on www.standa.it

Motorized Two Axis Translation Optical Mount

8MTOM2-1



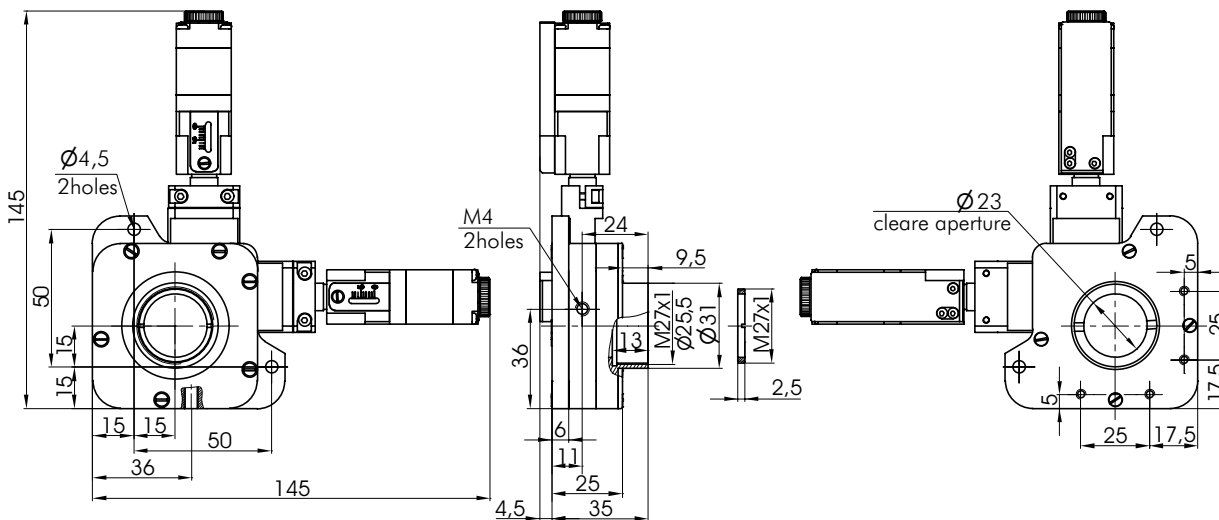
DESIGNED TO USE WITH MICROSCOPE

- 1" optics mounts
- Limit switch: optoelectronic couple
- Black anodized aluminium

The 8MTOM2-1 is made of 5TOM2-1 XY Translation Mount and 8CMA20-8/15 Compact Motorized Actuators.

SPECIFICATIONS

Resolution in full step	1.25 μm
in 1/8 step	0.156 μm
XY translation range	±2 mm
Lead screw pitch	0.25 mm
Weight	0.8 kg



DC motor base Actuators are available on request

DC motor base Actuators are available on request

Optical Tables	1
Brackets & Rails	2
Base Mounts & Accessories	3
Optical Mounts	4
Optical Positioners	5
Base Positioners	6
Translation & Rotation Stages	7
Motorised Positioners & Controllers	8
Fine Adjustment Screws	9
Opto-Mechanics & Sets	10
Light Test & Measurement Instruments	11

http://www.standa.it
 e-mail: sales@standa.it
 Phone: +370-5-2651474 Fax: +370-5-2651483

epuets