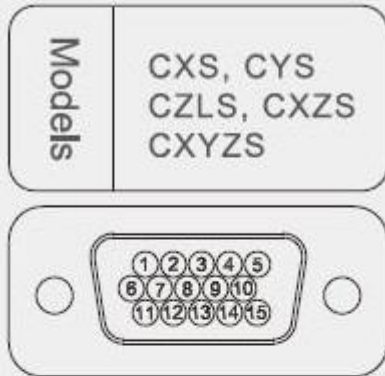
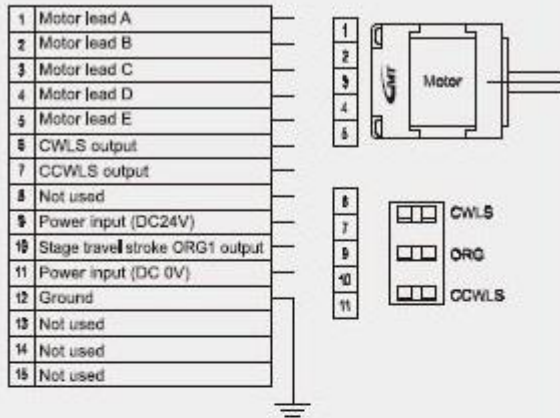


Electrical Specifications

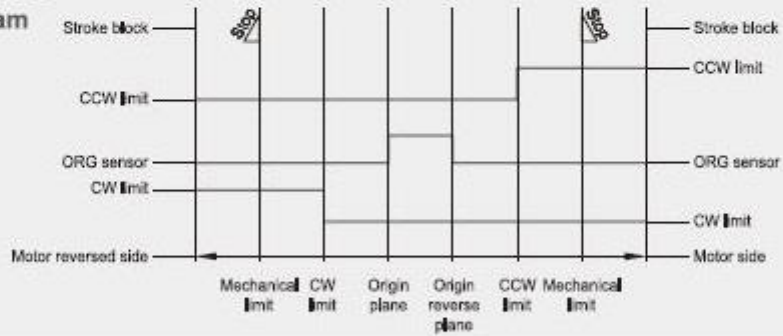
Male End Connector Pin Layout & Definition



Wiring Diagram



Sequence Diagram



Stage Sensor Location Diagram

