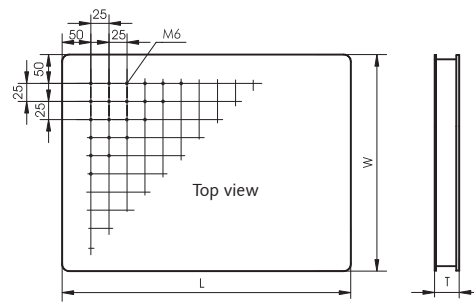


Size, mm	Thickness, mm		
	200	300	400
600×2400	1HT06-24-20		
800×1000	1HT08-10-20		
800×1200	1HT08-12-20		
800×1500	1HT08-15-20		
800×1800	1HT08-18-20		
800×2000	1HT08-20-20		
800×2400	1HT08-24-20		
900×1000	1HT09-10-20		
900×1200	1HT09-12-20		
900×1400	1HT09-14-20		
900×1500	1HT09-15-20		
900×1600	1HT09-16-20		
900×1800	1HT09-18-20	1HT09-18-30	
900×2400	1HT09-24-20	1HT09-24-30	
1000×1000	1HT10-10-20		
1000×1200	1HT10-12-20		
1000×1500	1HT10-15-20	1HT10-15-30	
1000×1800	1HT10-18-20	1HT10-18-30	
1000×2000	1HT10-20-20	1HT10-20-30	
1000×2400	1HT10-24-20	1HT10-24-30	
1000×3000	1HT10-30-20	1HT10-30-30	
1000×3500	1HT10-35-20	1HT10-35-30	
1200×1200	1HT12-12-20	1HT12-12-30	
1200×1500	1HT12-15-20	1HT12-15-30	
1200×1800	1HT12-18-20	1HT12-18-30	
1200×2400	1HT12-24-20	1HT12-24-30	1HT12-24-40
1200×3000	1HT12-30-20	1HT12-30-30	1HT12-30-40
1200×3500	1HT12-35-20	1HT12-35-30	1HT12-35-40
1200×4000	1HT12-40-20	1HT12-40-30	1HT12-40-40
1500×1500	1HT15-15-20	1HT15-15-30	1HT15-15-40
1500×1800	1HT15-18-20	1HT15-18-30	1HT15-18-40
1500×2000	1HT15-20-20	1HT15-20-30	1HT15-20-40
1500×2400	1HT15-24-20	1HT15-24-30	1HT15-24-40
1500×2500	1HT15-25-20	1HT15-25-30	1HT15-25-40
1500×3000	1HT15-30-20	1HT15-30-30	1HT15-30-40
1500×3500	1HT15-35-20	1HT15-35-30	1HT15-35-40
1500×4000	1HT15-40-20	1HT15-40-30	

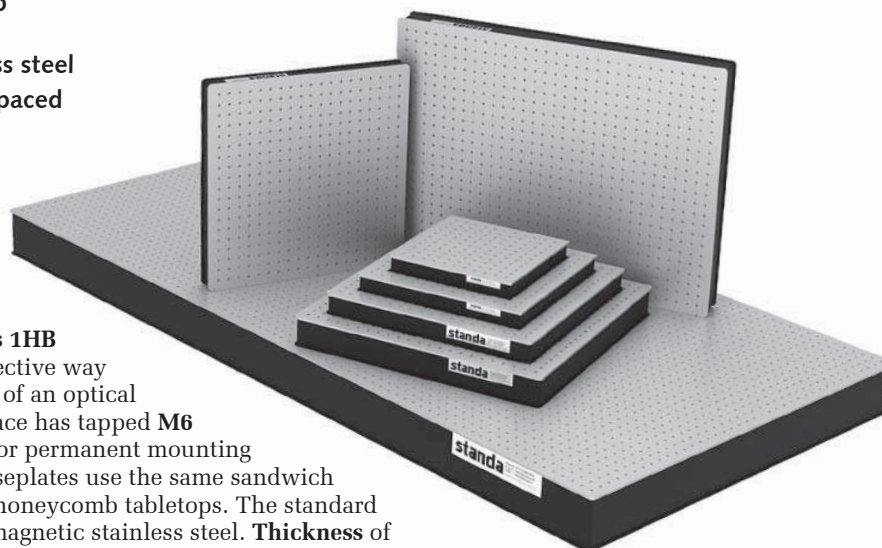


Custom sizes available on request

Honeycomb Breadboards

1HB

- Core – 265 kg/m³ 0.25 mm thick steel honeycomb
- Top skin – 5 mm thick ferromagnetic stainless steel
- Pattern of M6 holes spaced by 25 mm
- Flatness ±0.1 mm/m²



Honeycomb Breadboards 1HB provide a particularly effective way to expand the useful area of an optical table. The mounting surface has tapped **M6** holes on **25 mm** centers for permanent mounting of components. These baseplates use the same sandwich structure as our full size honeycomb tabletops. The standard top skin is made of ferromagnetic stainless steel. **Thickness** of the skin is **5 mm**.

e-mail: sales@standa.lt

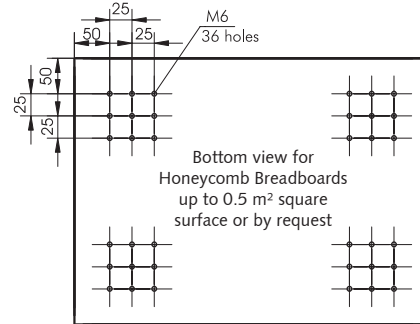
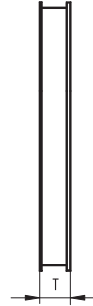
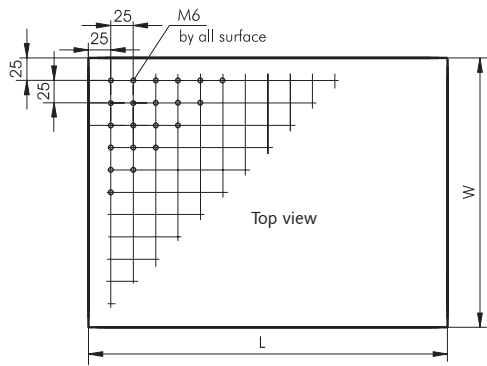
www.standa.lt

Phone: +370-5-2651474

Fax: +370-5-2651483

Honeycomb Breadboards

1HB



A breadboard may be mounted on a table by silent rods **2SR-32** or **3MP25**

Honeycomb Breadboards up to 0,5m² have a grid of nine **M6** tapped mounting holes in each corner of the bottom side. Larger Breadboards can have this grid by request. The **1HB** can be mounted at the bottom side of a table or elevated above its surface using the Silent Rods **2SR**.

These **Breadboards are not intended as a substitute for optical tables**. Their size-to-thickness ratio produces relatively low end-to-end rigidity, although their local rigidity over distances of less than about **30 to 60 cm** is excellent. When attached solidly to a dynamically rigid optical table, performance of resulting working surface becomes comparable to that of the table itself.

Honeycomb Breadboards 1HB Ordering Chart

Size WxL, mm	Thickness T, mm			
	40	50	70	120
300x300	1HB03-03-04			
300x600	1HB03-06-04	1HB03-06-05		
300x900	1HB03-09-04	1HB03-09-05		
300x1200	1HB03-12-04	1HB03-12-05		
300x1800	1HB03-18-04	1HB03-18-05		
440x440	1HB044-044-04			
500x500	1HB05-05-04	1HB05-05-05	1HB05-05-07	
500x750	1HB05-075-04	1HB05-075-05	1HB05-075-07	
500x1000	1HB05-10-04	1HB05-10-05	1HB05-10-07	
600x600	1HB06-06-04	1HB06-06-05	1HB06-06-07	
600x800	1HB06-08-04	1HB06-08-05	1HB06-08-07	
600x900	1HB06-09-04	1HB06-09-05	1HB06-09-07	1HB06-09-12
600x1200	1HB06-12-04	1HB06-12-05	1HB06-12-07	1HB06-12-12
600x1500			1HB06-15-07	1HB06-15-12
600x1800			1HB06-18-07	1HB06-18-12
600x2400			1HB06-24-07	1HB06-24-12
800x800	1HB08-08-04	1HB08-08-05	1HB08-08-07	1HB08-08-12
800x1000		1HB08-10-05	1HB08-10-07	1HB08-10-12
800x1200		1HB08-12-05	1HB08-12-07	1HB08-12-12
800x1500			1HB08-15-07	1HB08-15-12
800x1800			1HB08-18-07	1HB08-18-12
900x1000		1HB09-10-05	1HB09-10-07	1HB09-10-12
900x1200		1HB09-12-05	1HB09-12-07	1HB09-12-12
900x1400			1HB09-14-07	1HB09-14-12
900x1500		1HB09-15-05	1HB09-15-07	1HB09-15-12
900x1600			1HB09-16-07	1HB09-16-12
900x1800			1HB09-18-07	1HB09-18-12
900x2400			1HB09-24-07	1HB09-24-12
1000x1000		1HB10-10-05	1HB10-10-07	1HB10-10-12
1000x1200			1HB10-12-07	1HB10-12-12
1000x1500			1HB10-15-07	1HB10-15-12
1000x1800			1HB10-18-07	1HB10-18-12
1000x2000				1HB10-20-12
1000x2400				1HB10-24-12
1200x1200			1HB12-12-07	1HB12-12-12
1200x1500				1HB12-15-12
1200x1800				1HB12-18-12
1500x1500			1HB15-15-07	1HB15-15-12
1500x1800				1HB15-18-12
1500x2000				1HB15-20-12

Custom sizes available on request

www.standa.it

e-mail: sales@standa.it



Phone: +370-5-2651483 Fax: +370-5-2651474



standa



- Optical Tables 1
- Brackets & Rails 2
- Base Mounts & Accessories 3
- Optical Mounts 4
- Optical Positioners 5
- Base Positioners 6
- Translation & Rotation Stages 7
- Motorised Positioners & Controllers 8
- Fine Adjustment Screws 9
- Opto-Mechanics & Sets 10
- Light Test & Measurement Instruments 11
- Lasers & Laser Accessories 12