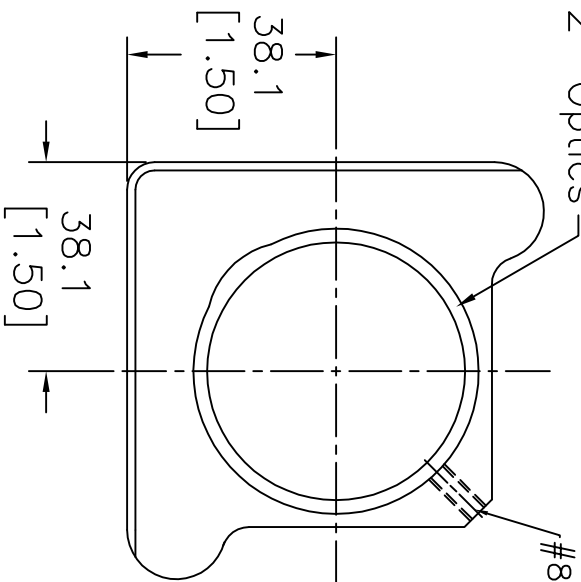
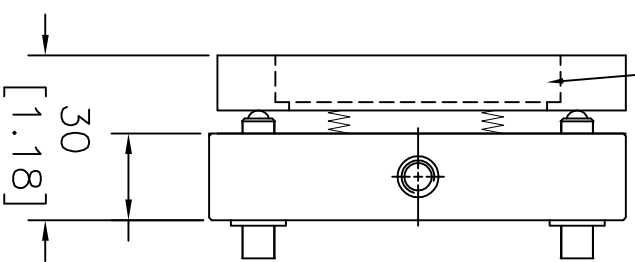


For 2" Optics



FOR T=8.5[0.33]



FM3SO-2KR

