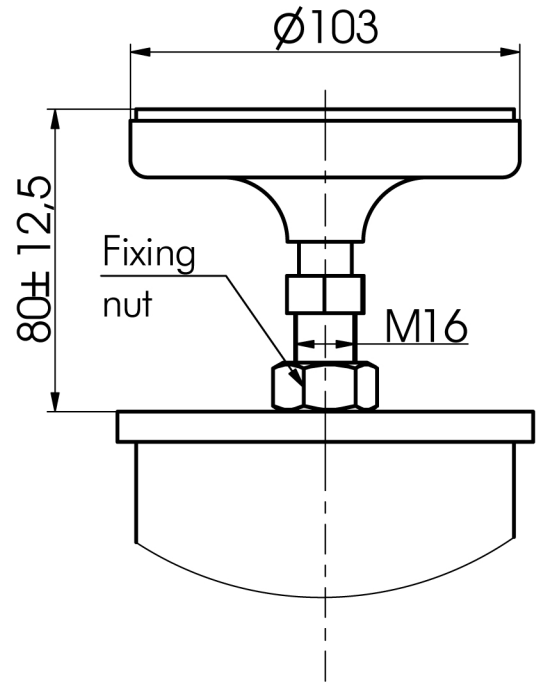


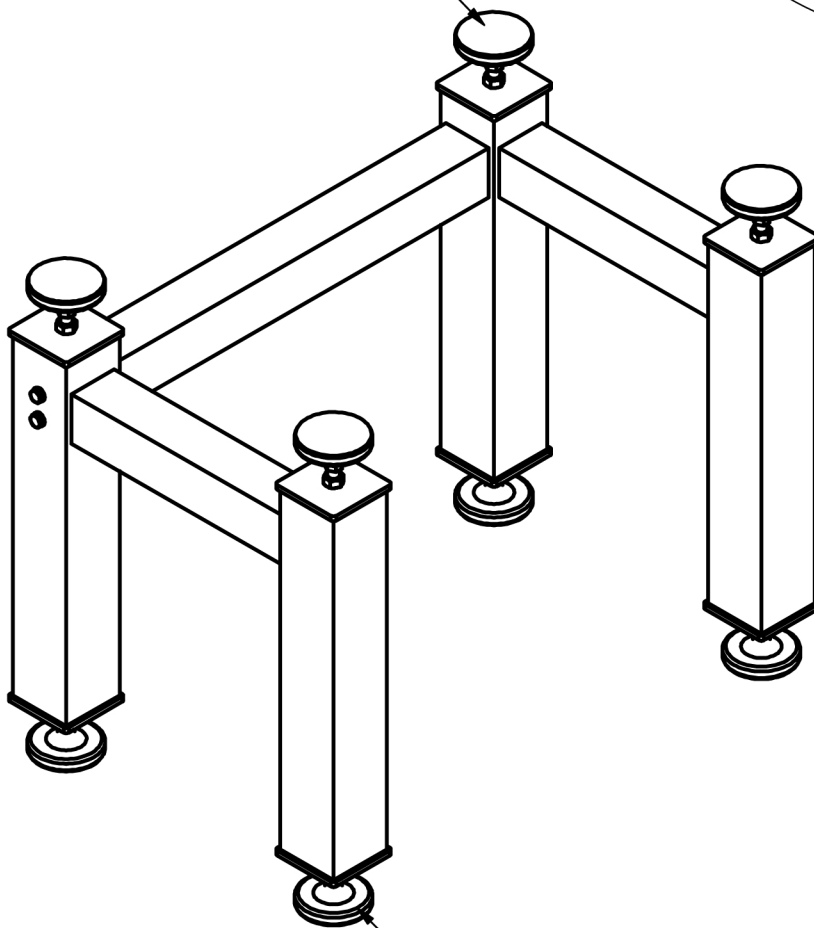


Solid Leveling Element

1TSXX-XX-XX-AS



1TS-AS
Solid Leveling Element



1TS-AS
Solid Leveling Element