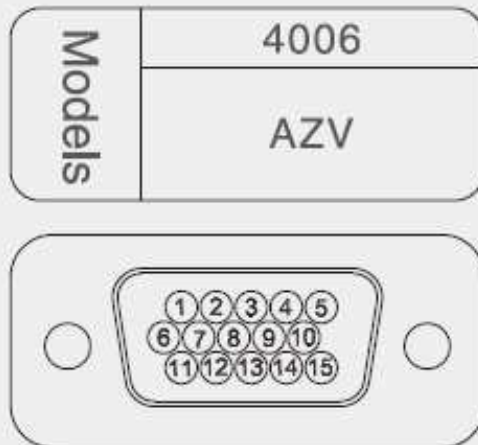
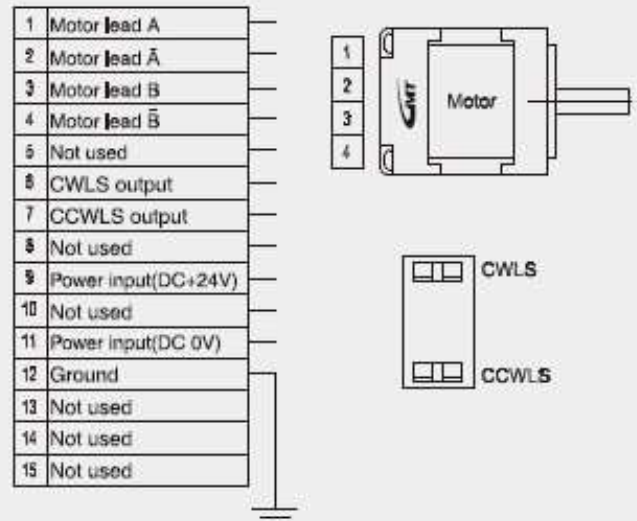


Electrical Specifications

Male End Connector PIN Layout & Definition



Wiring Diagram



Sequence Diagram

