

Instrument Shelves

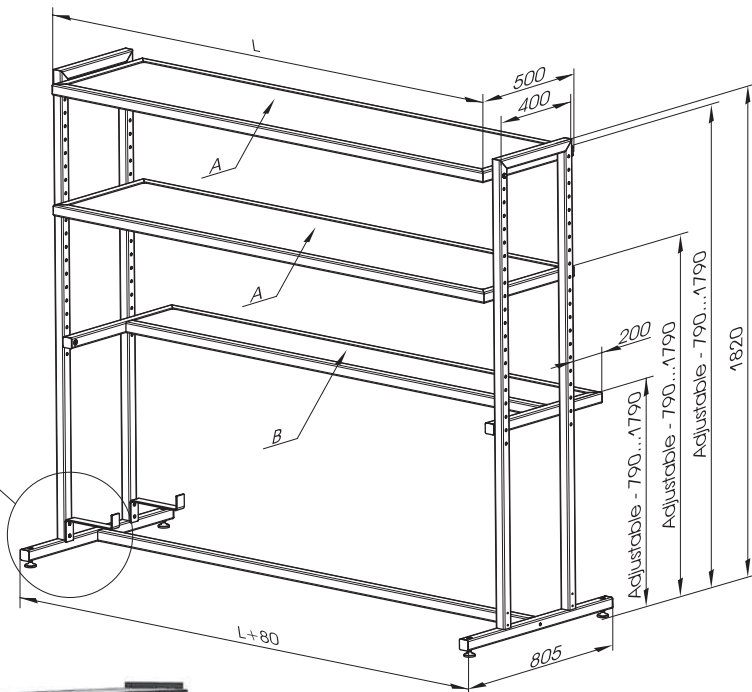
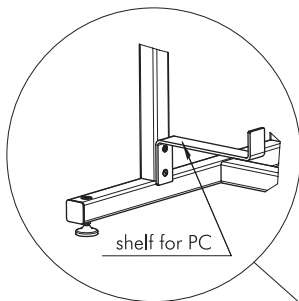
1IS



- Free-standing
- Can be positioned anywhere over the table
- Does not affect vibration isolation
- Adjustable shelf height
- Sturdy metal frame supports heavy loads

Instrument Shelves 1IS provide convenient off-the-table mounting and storage for power supplies, controllers, oscilloscopes and other instruments. They are not connected with the table and does not affect vibration isolation. The height of shelves can be adjusted easily. The space saving shelf also allows wires and cables to be neatly routed away from critical setups.

Model	L, mm
1IS200	2050
1IS300	3050
1ISXXX	any sizes by request



Examples of codes for 1IS200:

1IS200-A	one A shelf
1IS200-B	one B shelf
1IS200-AA	two A shelves
1IS200-AB	one A shelf and one B shelf
1IS200-AAB	two A shelves and one B shelf



www.standa.it

e-mail: sales@standa.it



Phone: +370-5-2651483

Fax: +370-5-2651474



standa



Optical
Tables

1

Brackets
& Rails

2

Base
Mounts &
Accessories

3

Optical
Mounts

4

Optical
Positioners

5

Base
Positioners

6

Translation &
Rotation
Stages

7

Motorised
Positioners &
Controllers

8

Fine
Adjustment
Screws

9

Opto-
Mechanics &
Sets

10

Light Test &
Measurement
Instruments

11

Lasers &
Laser
Accessories

12