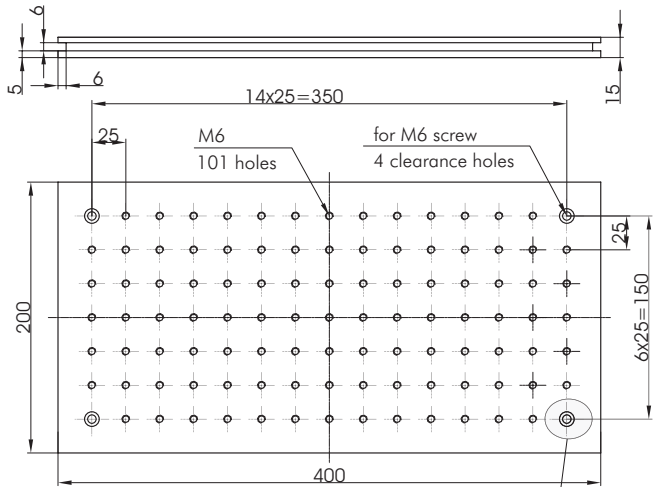
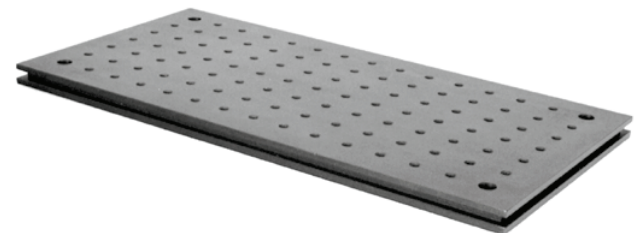


## Solid Steel Breadboard Aluminium Breadboard

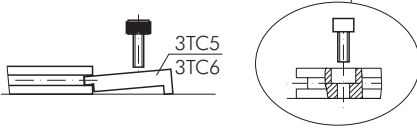
**1BS-2040-015**

**1BAL-2040-015**

- Two types of material
- Length 400 mm
- Width 200 mm
- Thickness 15 mm
- M6 tapped holes pattern on 25 mm centres



ways to fasten a Breadboard



**Breadboard 1BS-2040-015** (former part number **1B82**) is an alternative to the honeycomb table tops. It is particularly useful in small optical setups.

**1BS-2040-015** is a **black finished ferromagnetic steel plate**, of one size.

**1BAL-2040-015** is a **black anodized aluminium plate**, of one size.

The breadboard has **grooves** on all 4 sides, so you can quickly mount it using Table Clamps **3TC5**, **3TC6**. On the corners there are **4 holes for M6 screw** used to mount directly to tables or to fix at a certain height on Silent Rods **2SR32**.



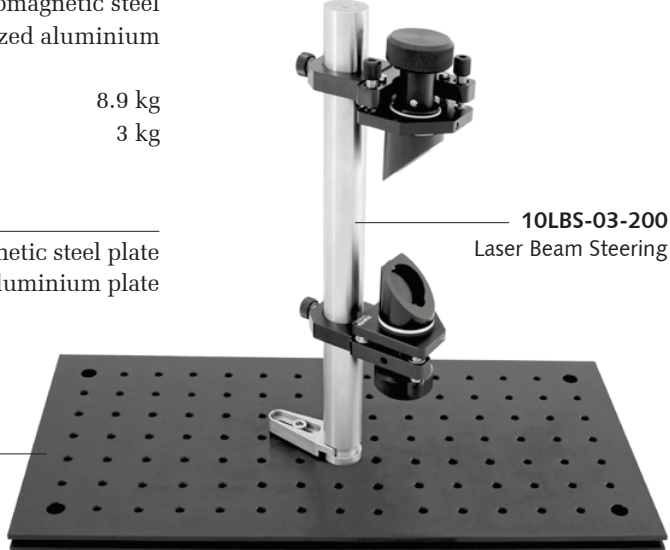
**1BS-2040-015** mounted on Silent Rods **2SR32**

### SPECIFICATIONS

|                   |                                    |
|-------------------|------------------------------------|
| <b>Flatness</b>   |                                    |
| 1BS-2040-015      | ±0.3 mm                            |
| 1BAL-2040-015     | ±0.15 mm                           |
| <b>Pattern</b>    |                                    |
|                   | M6 holes spaced by 25 mm           |
| <b>Dimensions</b> |                                    |
| Length            | 400 mm                             |
| Width             | 200 mm                             |
| Thickness         | 15 mm                              |
| <b>Material</b>   |                                    |
| 1BS-2040-015      | black finished ferromagnetic steel |
| 1BAL-2040-015     | black anodized aluminium           |
| <b>Weight</b>     |                                    |
| 1BS-2040-015      | 8.9 kg                             |
| 1BAL-2040-015     | 3 kg                               |

### ORDERING INFORMATION

- 1BS-2040-015** – black finished ferromagnetic steel plate
- 1BAL-2040-015** – black anodized aluminium plate



**1BS-2040-015**  
Solid Steel Breadboard

**10LBS-03-200**  
Laser Beam Steering

e-mail: sales@standa.lt

www.standa.lt

Phone: +370-5-2651474

Fax: +370-5-2651483

- 1 Optical Tables
- 2 Brackets & Rails
- 3 Base Mounts & Accessories
- 4 Optical Mounts
- 5 Optical Positioners
- 6 Base Positioners
- 7 Translation & Rotation Stages
- 8 Motorised Positioners & Controllers
- 9 Fine Adjustment Screws
- 10 Opto-Mechanics & Sets
- 11 Light Test & Measurement Instruments
- 12 Lasers & Laser Accessories