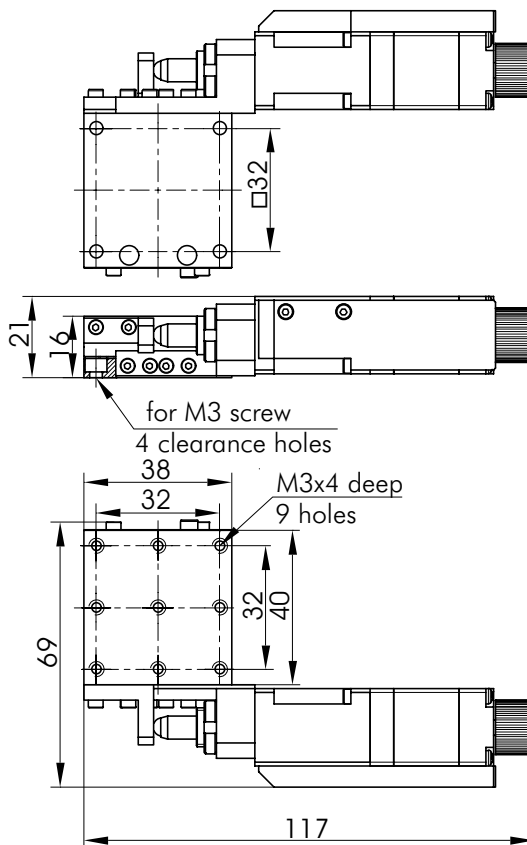
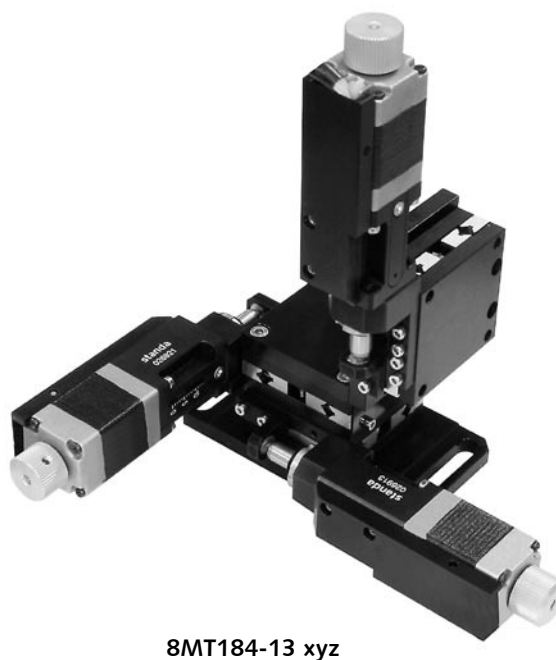
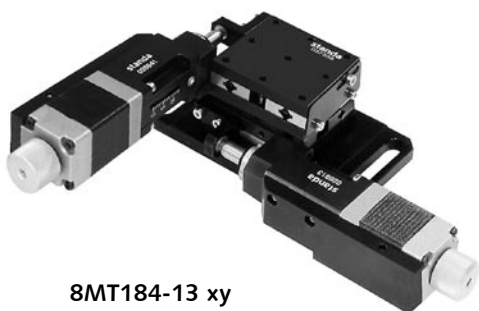
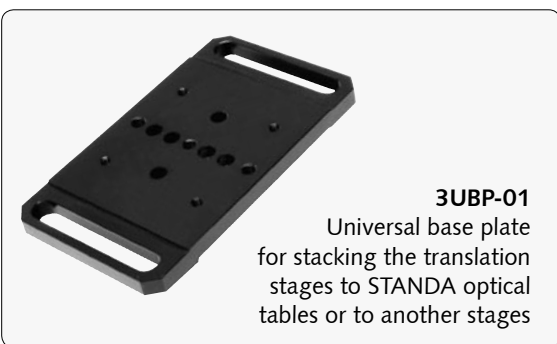


Motorized Translation Stage

8MT184-13



- Compact design
- Precise movement
- 13 mm travel range
- X-Y-Z direct stacking
- Stacks directly with stages of 174 series
- Motorized Actuator 8CMA06-13/15
- Lockable
- Black anodized aluminium
- Angle bracket 2AB174 for vertical mounting



Recommended Controllers



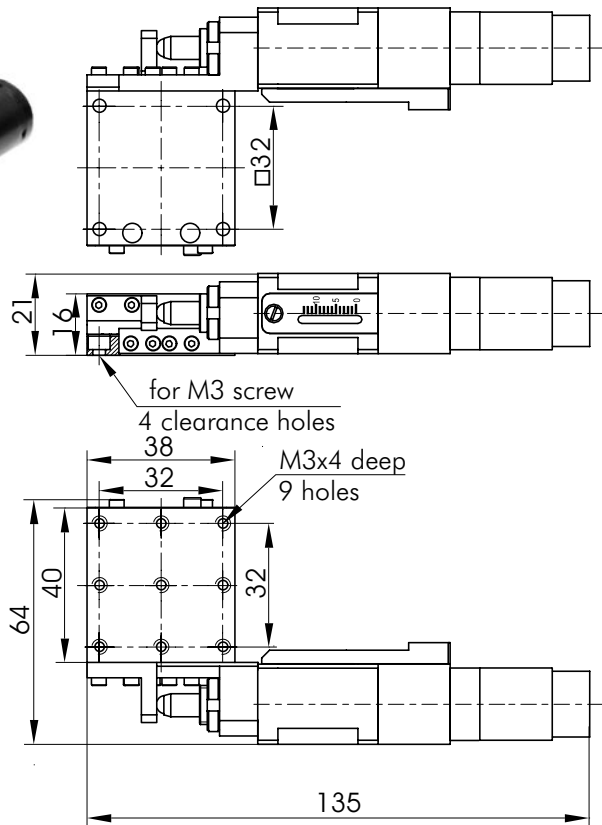
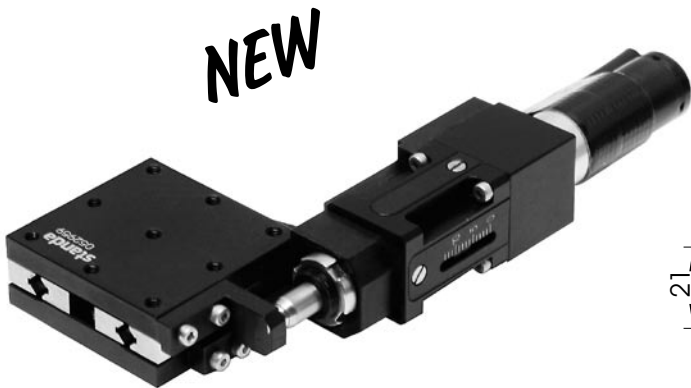
http://www.standa.it
e-mail: sales@standa.it
Phone: +370-5-2651474 Fax: +370-5-2651483

standa

- Optical Tables 1
- Brackets & Rails 2
- Base Mounts & Accessories 3
- Optical Mounts 4
- Optical Positioners 5
- Base Positioners 6
- Translation & Rotation Stages 7
- Motorised Positioners & Controllers 8
- Fine Adjustment Screws 9
- Opto-Mechanics & Sets 10
- Light Test & Measurement Instruments 11

Motorized Translation Stage

8MT184-13DC



- Compact design
- Precise movement
- 13 mm travel range
- X-Y-Z direct stacking
- Stacks directly with stages of 174 series
- Motorized Actuator 8CMA16DC-13/15
- Lockable
- Black anodized aluminium
- Angle bracket 2AB174 for vertical mounting

**Available Motorized Translation Stage
with VACUUM 10^{-6} Torr Compatible DC motor
8MT184V-13DC**

Recommended controller for DC Motor

Brushed DC Servo Motor Controller with USB Interface

8DCMC1-USB

Compatible with 10^{-6} Torr vacuum

Ultra-High Resolution Compact Motorized Actuator with Vacuum compatible DC motor

8CMA16DCV-13/15

Manual version of 8MT184 series – 7T184-13 (page 7-19)



7T184-13



7T184-13 xy



7T184-13 xy

e-mail: sales@standa.it
<http://www.standa.it>
 Phone: +370-5-2651474 Fax: +370-5-2651483

1 Optical Tables
 2 Brackets & Rails
 3 Base Mounts & Accessories
 4 Optical Mounts
 5 Optical Positioners
 6 Base Positioners
 7 Translation & Rotation Stages
 8 Motorised Positioners & Controllers
 9 Fine Adjustment Screws
 10 Opto-Mechanics & Sets
 11 Light Test & Measurement Instruments