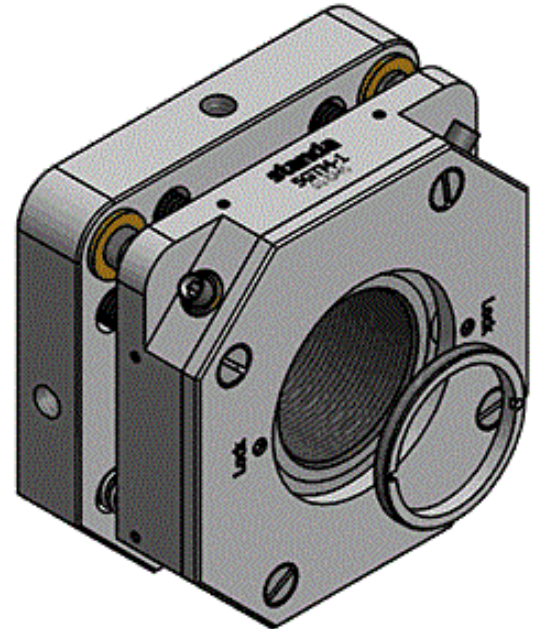
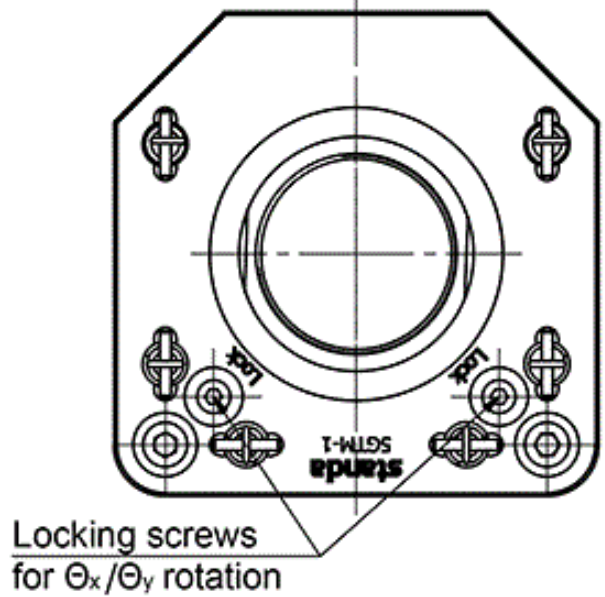
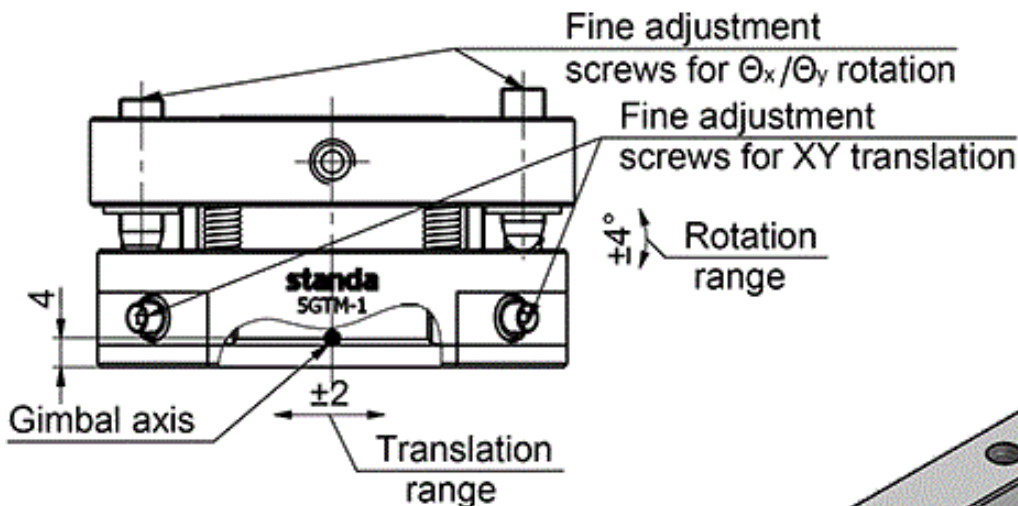
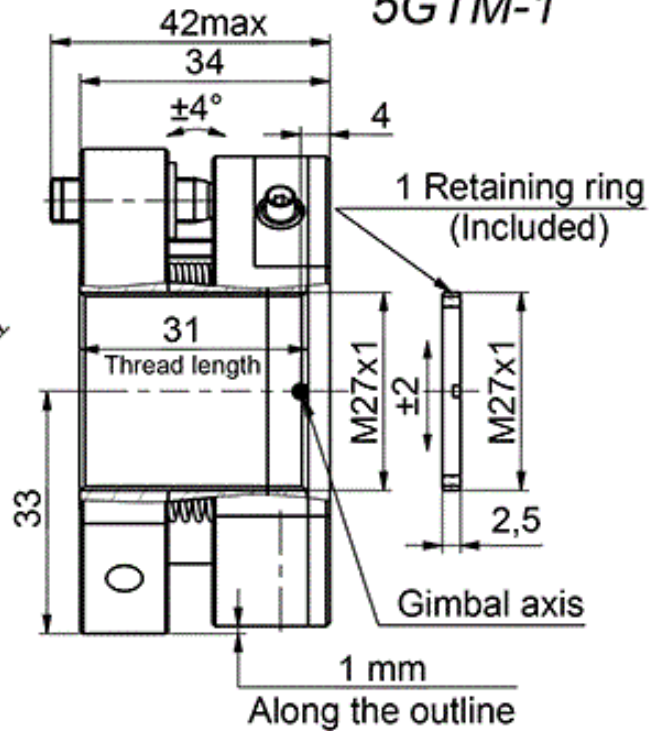
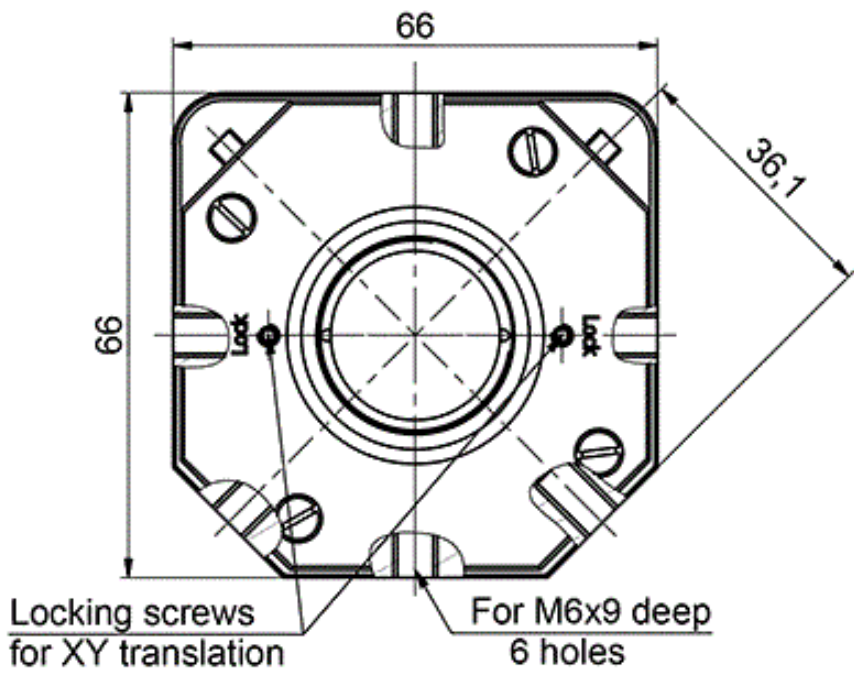
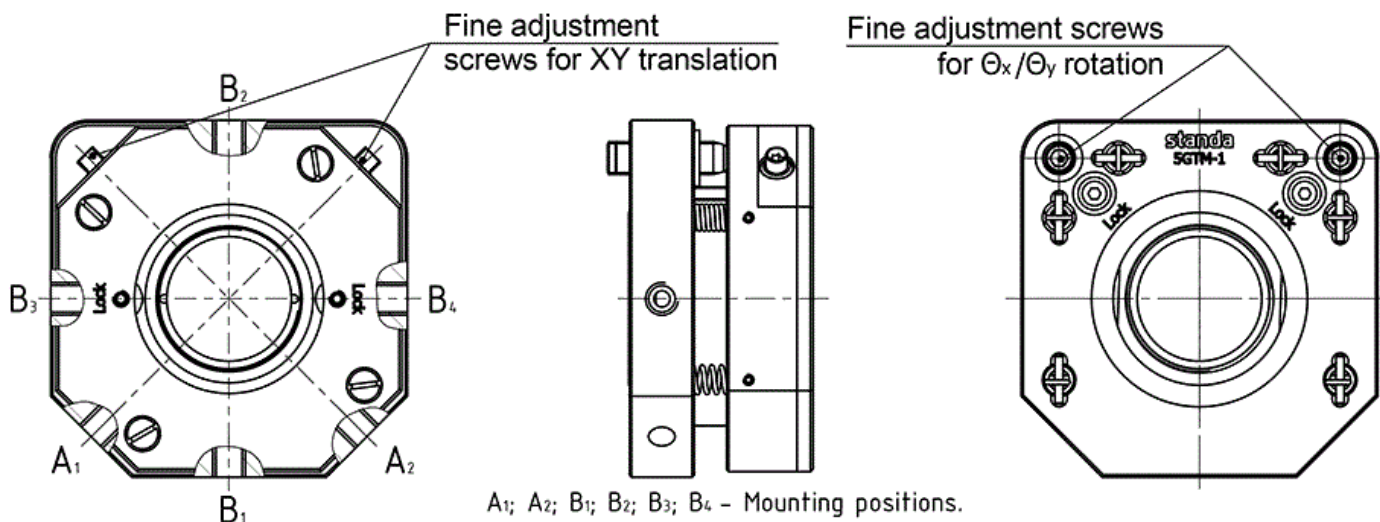


# Gimbal Translation Mount

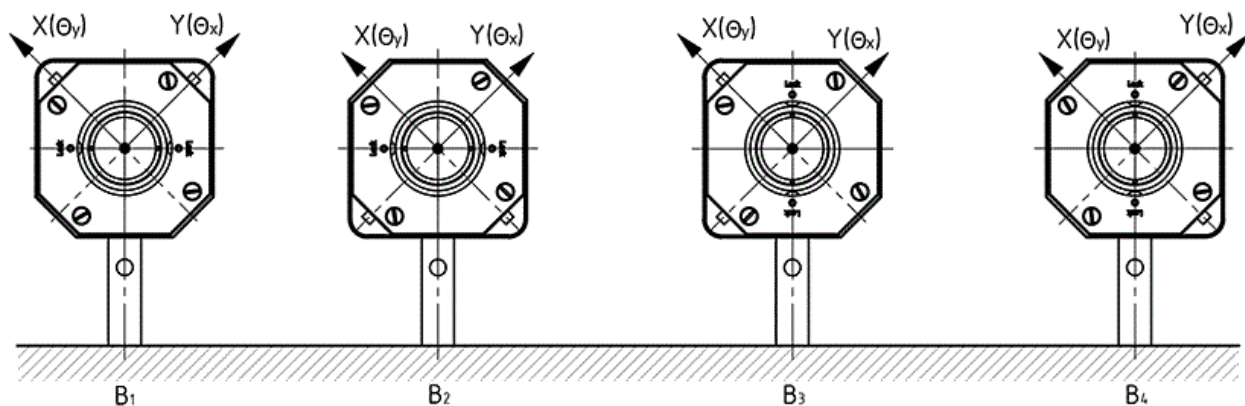
# 5GTM-1



# Gimbal Translation Mount 5GTM-1 Mounting positions



A<sub>1</sub>; A<sub>2</sub>; B<sub>1</sub>; B<sub>2</sub>; B<sub>3</sub>; B<sub>4</sub> - Mounting positions.  
 X; Y - Translation direction.  
 $\Theta_x$ ;  $\Theta_y$  - Rotation direction.



## View C

