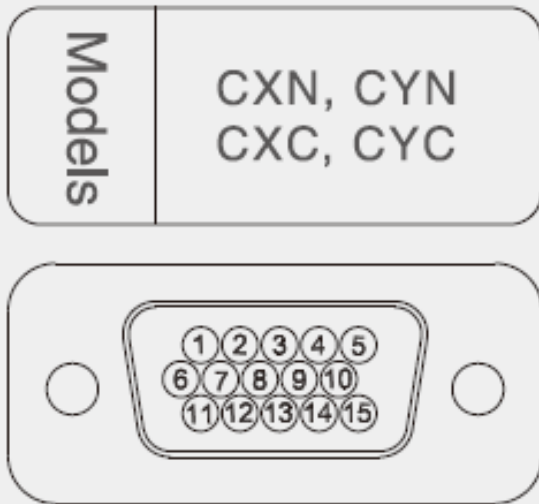
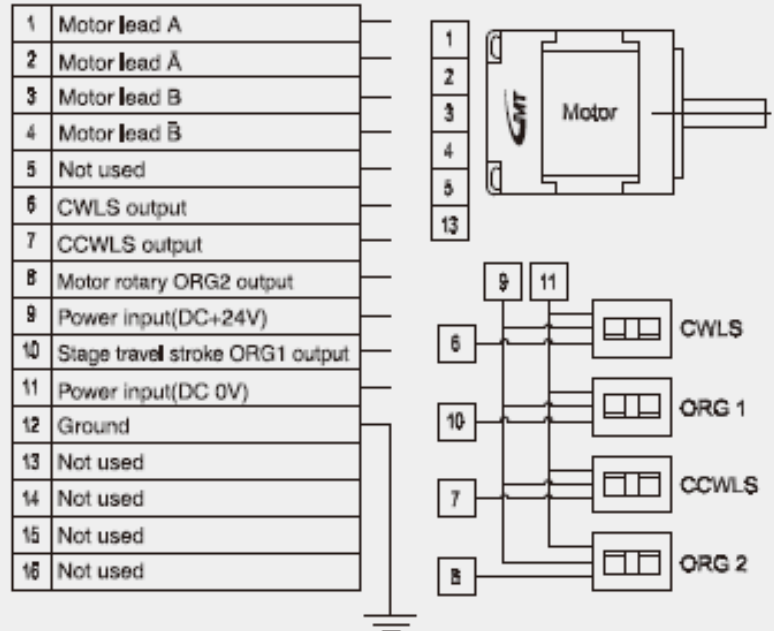


# Electrical Specifications

## Male End Connector PIN Layout & Definition



## Wiring Diagram



## Sequence Diagram

