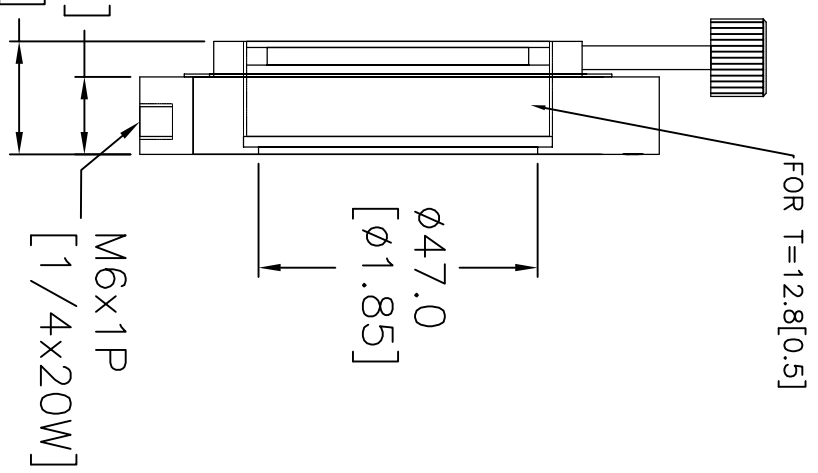


13.0 [.51]
19.0 [.75]

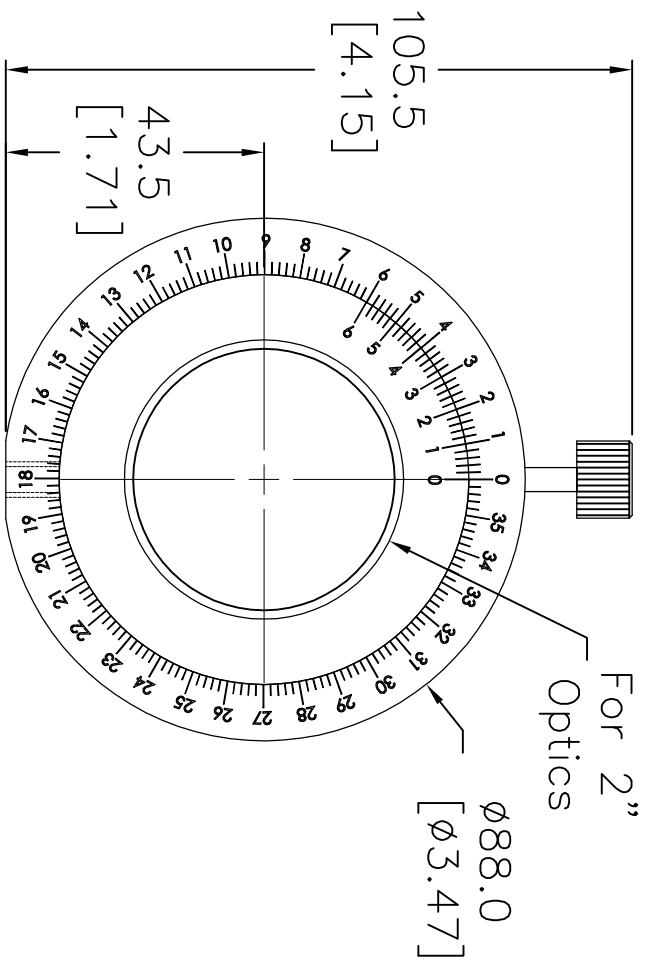


FOR T=12.8[0.5]

$\phi 47.0$
[$\phi 1.85$]

M6x1P
[1/4x20W]

PPM-2



105.5
[4.15]

43.5
[1.71]

For 2"
Optics

$\phi 88.0$
[$\phi 3.47$]