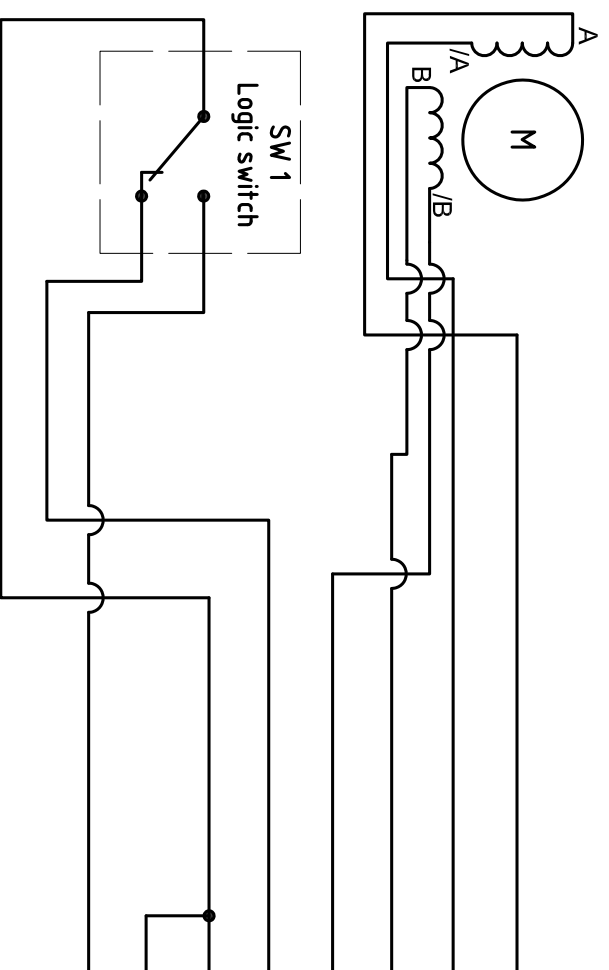


Rotation Stage



DB9(M) →	
1	
2	Stepping motor phase A
3	Stepping motor phase /A
4	Stepping motor phase B
5	Stepping motor phase /B
6	+5V; 20mA
7	Limit Switch 1
8	Limit Switch 2
9	Logic ground

ATTENTION

Output of logic switch (SW1) has built in resistor with value 1K between output and circuit "+5V"

Rotation Stage

8MR190-90

Wiring Diagram



2010.01.07

Sheet 1/1

J. Kintys