

# Fiber Coupling Stage

7TF2

**NEW**

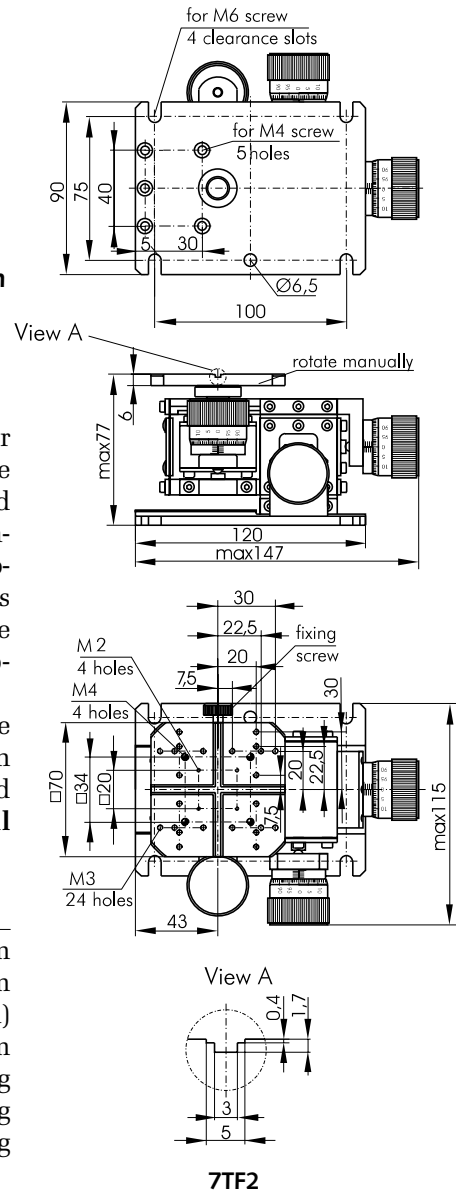


- Fiber coupling stage of flexure design
- Rotating platform on the top
- Compact block design
- Long-term stability
- Smooth motion

**Flexure stages 7TF2** are ideal for high precision device manipulation. This stage suits almost any micropositioning applications range, for example, from fiber launch systems for singlemode, multimode and polarization maintaining fibers as well as waveguide alignment, through to the manipulation of microstructures in bioscience. **Fiber Coupling Stage** of flexure compact block design with high-resolution micrometers ensures long-termed sta-

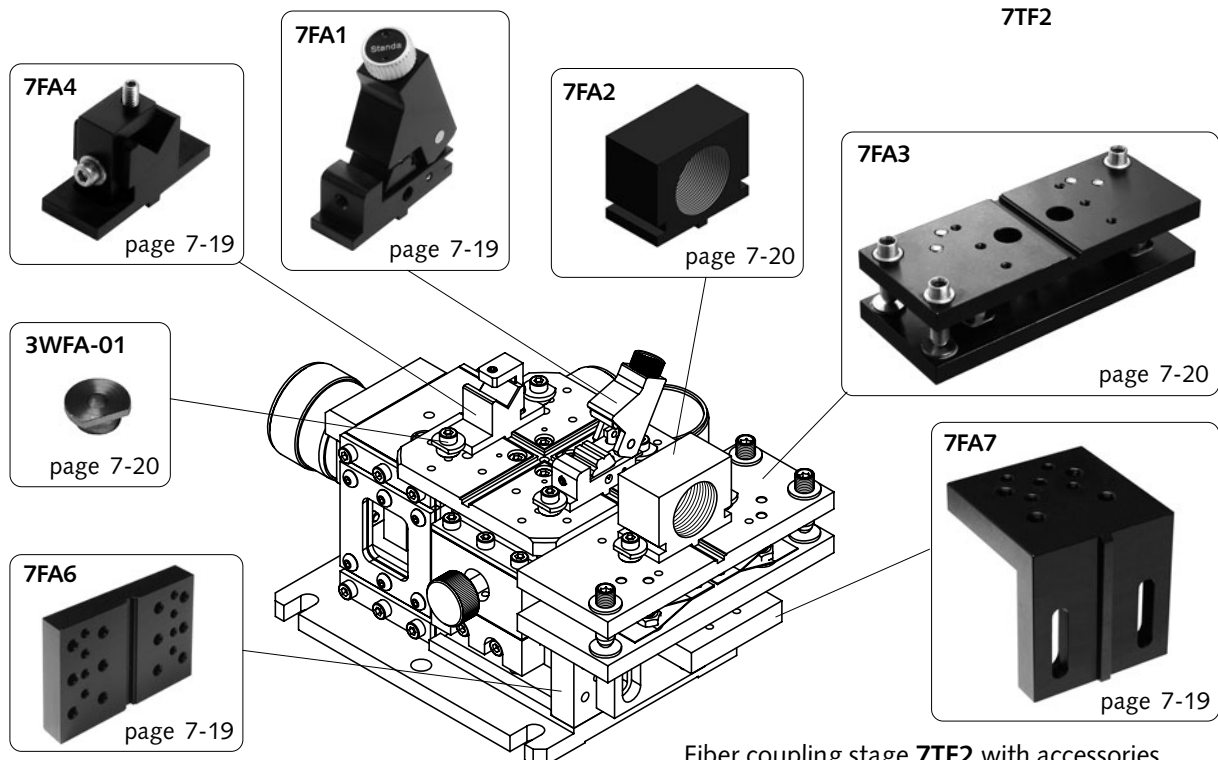
bility and good stiffness together with smooth motion without the severe limitations of stiction and friction. Flexure stages have a combination of overall size, travel, resolution, and low cost that makes them unique decision to meet the stringent requirements of photonics laboratory applications.

**Vacuum compatible versions** are delivered **on request**. Also as an option **fiber coupling stage** could be provided with **differential screws**.



**SPECIFICATIONS**

Travel range in each XYZ direction	2mm
Sensitivity	0.2 $\mu\text{m}$
Reading accuracy	1.25 $\mu\text{m}$ (1/2 division)
Cross-Talk	20 $\mu\text{m}/\text{mm}$
Mechanical stability	flexure design with Stainless Steel Spring
Load capacity	1.5 kg
Weight	1.6 kg



Fiber coupling stage 7TF2 with accessories



