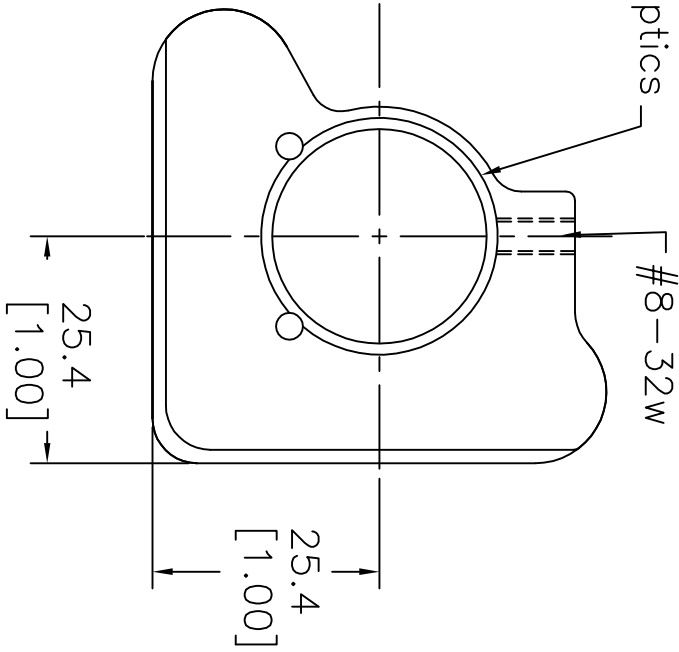
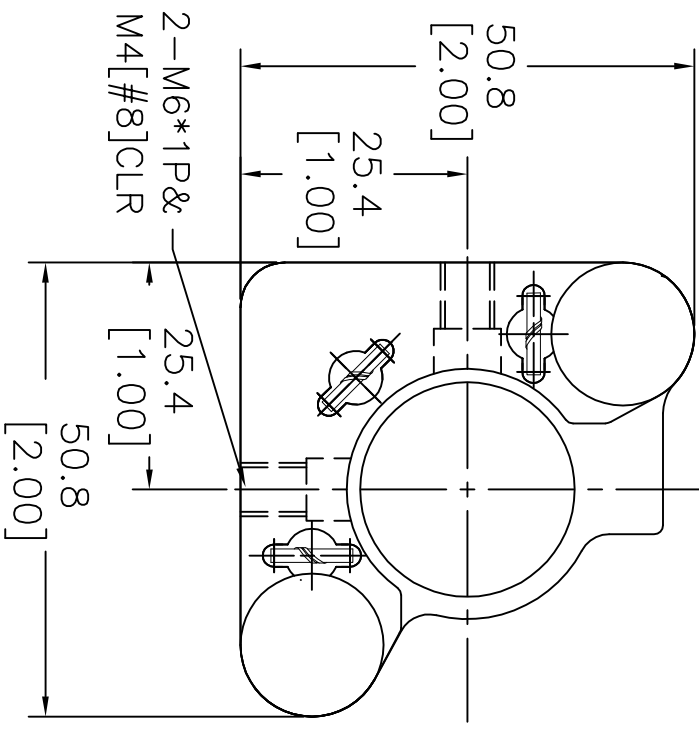
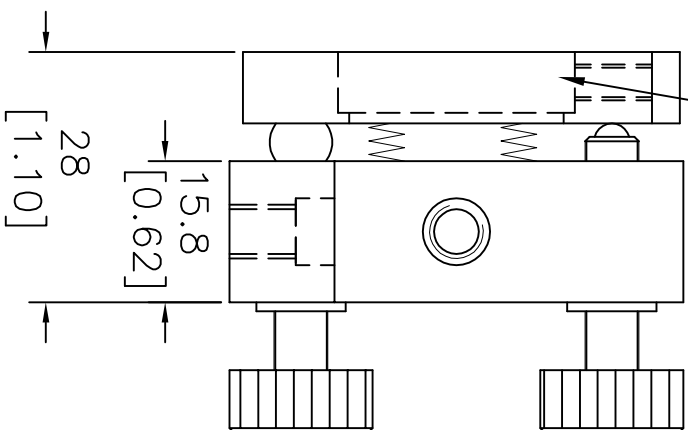


For 1" Optics



FOR T=6.8[0.27]



TMSO-1L