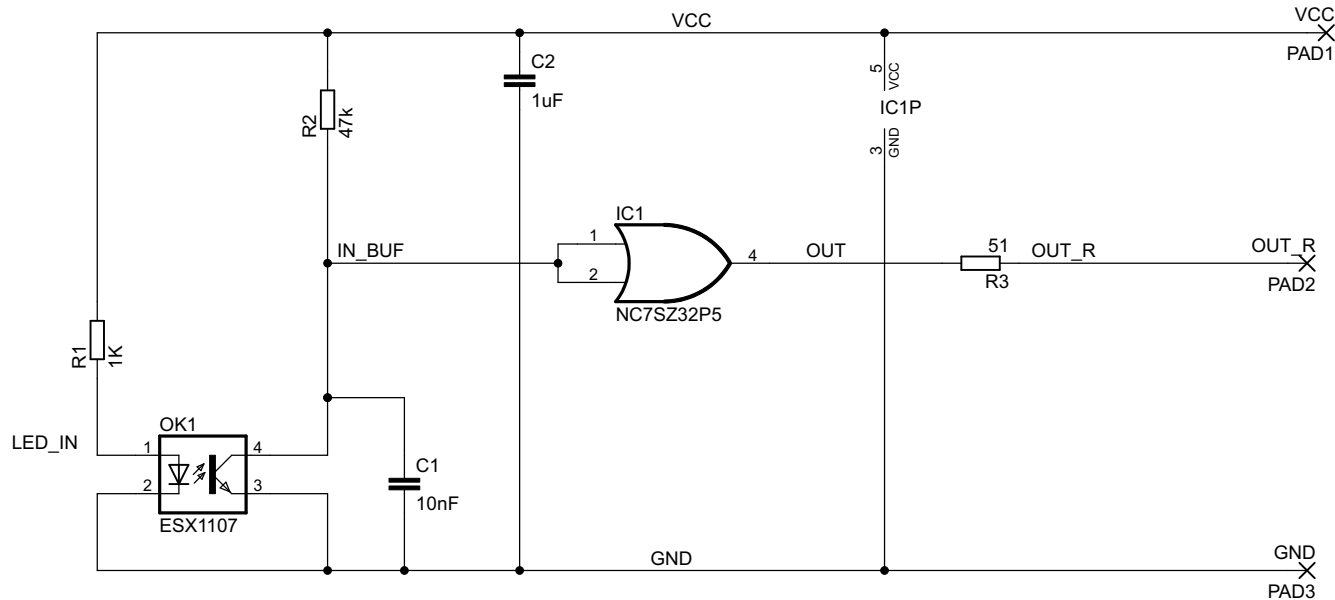


This schematic is valid from 2008 year autumn.

Before this date the schematic did not contain amplifier and related elements (IC1, C1, C2, R2, R3)



IC of type NC7SZ32P5 allowable to change to NC7SZ08P5, SN74LVC1G08DCKR, SN74LVC1G32DCKR without functionality change.

On special order IC of type NC7SZ32P5 can be changed to NC7SZ04P5, NC7SZ14P5, SN74LVC1G04DCKR or SN74LVC1G14DCKR with inversion of output logic.

Note: some quantity of boards where produced with pin 1 of IC1 not wired. During assembling or repair pin 1 must be soldered to pin 2 manually.

8MR151

sensors board schematic



2010.09.08

Juozas Kimtys