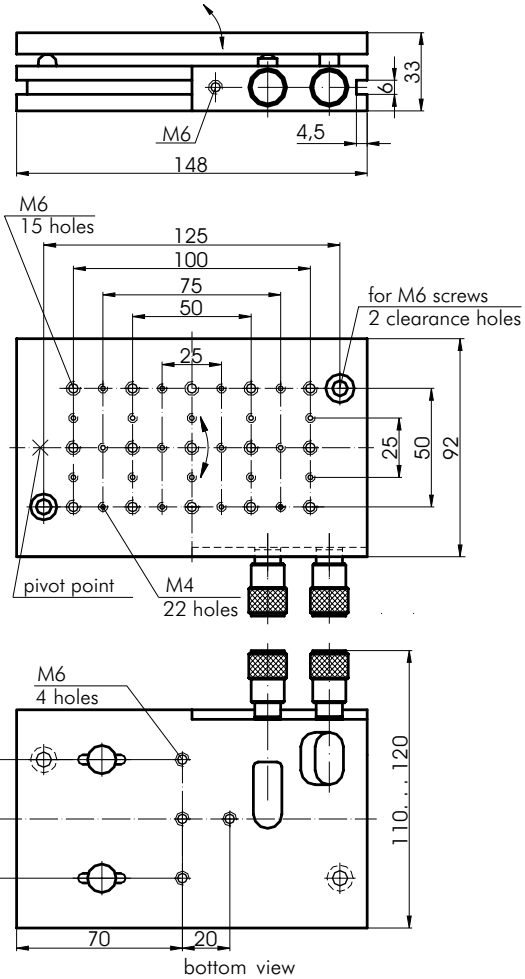


# Multi-Axis Tilt Platform

## 6TP116



**Multi-Axis Tilt Platform 6TP116** provides angular adjustment about two-axis – tilting and in-plane rotation.

The mounting platform is rotated around kinematic pivot point by two micrometers. The out-of-plane tilting range is  $\pm 2^\circ$  and the in-plane rotation ranges is  $\pm 2.5^\circ$ . Two micrometer screws are located side by side for a handy use. The adjustment movements are not calibrated, and they are uncoupled.

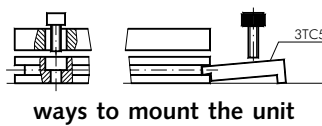
The mounting platform has a **25 mm** grid of tapped holes **M6** and **M4**.

Two clearance holes  $\varnothing 6.2$  are provided in the base of the unit. This allows to attach **6TP116** to tables and breadboards. Also you can clamp the base of the unit by **STANDA Table Clamp 3TC5**; this way you can orient the unit on the table in any direction.

The tilt platform is made of black anodized aluminium.

### SPECIFICATIONS

Tilt $\Theta_y$	$\pm 2^\circ$
Rotation $\Theta_z$	$\pm 2.5^\circ$
Load capacity	15 kg
Weight	0.97 kg



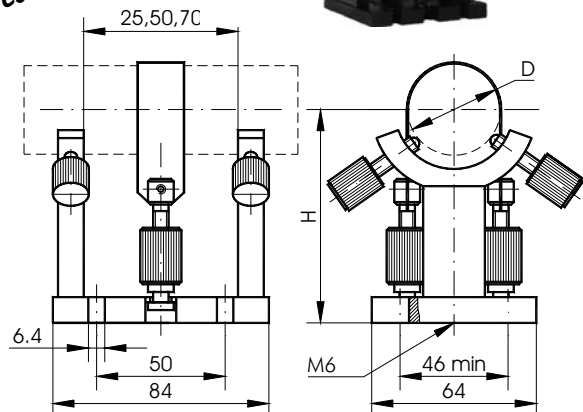
# Adjustable Laser/Laser Head Holder

## 6LH



- Stable design
- Precise adjustment about linear and angular coordinates
- Wide adjustment angle
- High load capacity
- Convenient mounting

*4 adjustable degrees of freedom!*



**Adjustable Laser/Laser Head Holder 6LH** is used for repeatable mounting and drift-free pointing of laser heads and other cylindrical objects.

You may easily reposition the two supports to select an optimal **basis** for cylindrical objects of differing

**lengths** (basis of 25, 50, or 70 mm).

**6LH** is made of black anodized aluminium and is equipped with **6.4 mm** clearance slots and **M6** tapped holes to attach to **STANDA** tables and breadboards.

Model	D, mm	H, mm	Weight, kg
6LH-25	$\varnothing 25 - \varnothing 36$	$\approx 75$	0.26
6LH-50	$\varnothing 48 - \varnothing 55$	$\approx 65$	0.20

http://www.standa.it  
 e-mail: mberba@ktl.mil.it  
 Phone: +370-5-2651474 Fax: +370-5-2651483

- 1 Optical Tables
- 2 Brackets & Rails
- 3 Base Mounts & Accessories
- 4 Optical Mounts
- 5 Optical Positioners
- 6 Base Positioners
- 7 Translation & Rotation Stages
- 8 Motorised Positioners & Controllers
- 9 Fine Adjustment Screws
- 10 Opto-Mechanics & Sets