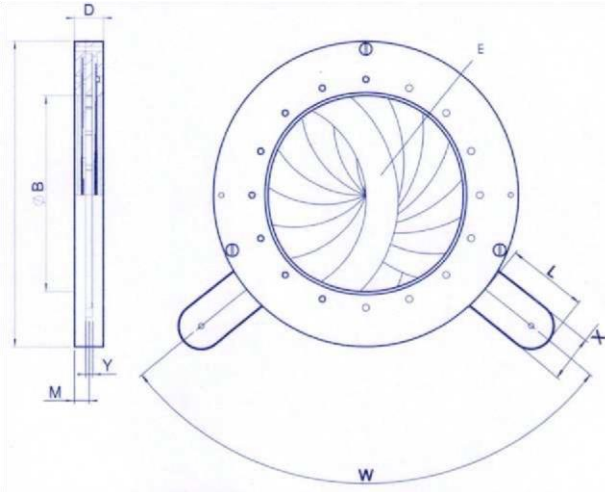


IRIS Diaphragms

zero aperture
Casing of metal, flat lever, partly with securing holes for cogs.



- IBC Zero aperture Iris Diaphragm
 - A Outer Diameter
 - B max. Aperture
 - C min. Aperture
 - D Thickness
 - E Number of Leaves
 - R PIN
 - F Tab
 - AR Leaves with AR coating, for temperatures up to 180°C
 - N Springsteel, burnished, for temperatures up to 250°C
 - H Stainless steel, for temperatures up to 400°C
 - HT High-temperature alloy for up to 1000°C
- vaccum iris diaphragms available

| Order Code | A | B | D | E | L | M | W | F/R | N/H/HT |
|-----------------|-----|-----|-----|----|----|-----|-----|-----|--------|
| 14IBC25-12-N | 25 | 12 | 5 | 12 | 12 | 2,5 | 96 | R | N |
| 14IBC25-12-H | 25 | 12 | 5 | 12 | 12 | 2,5 | 96 | R | H |
| 14IBC29-15-N | 29 | 15 | 5 | 12 | 12 | 2,5 | 97 | R | N |
| 14IBC29-15-H | 29 | 15 | 5 | 12 | 12 | 2,5 | 97 | R | H |
| 14IBC39-22-N | 39 | 22 | 5 | 14 | 12 | 2,5 | 99 | R | N |
| 14IBC39-22-H | 39 | 22 | 5 | 14 | 11 | 2,5 | 99 | R | H |
| 14IBC48-30-N | 48 | 30 | 5 | 14 | 11 | 2,5 | 100 | F | N |
| 14IBC48-30-H | 48 | 30 | 5 | 14 | 11 | 2,5 | 100 | F | H |
| 14IBC48-30-HT | 48 | 30 | 5 | 14 | 11 | 2,5 | 100 | F | HT |
| 14IBC69-40-N | 69 | 40 | 6,5 | 14 | 16 | 3,3 | 96 | F | N |
| 14IBC69-40-H | 69 | 40 | 6,5 | 14 | 16 | 3,3 | 96 | F | H |
| 14IBC69-40-HT | 69 | 40 | 6,5 | 14 | 16 | 3,3 | 96 | F | HT |
| 14IBC94-60-N | 94 | 60 | 9 | 16 | 25 | 4,5 | 98 | F | N |
| 14IBC94-60-H | 94 | 60 | 9 | 16 | 25 | 4,5 | 98 | F | H |
| 14IBC94-60-HT | 94 | 60 | 9 | 16 | 25 | 4,5 | 98 | F | HT |
| 14IBC117-75-N | 117 | 75 | 9,5 | 18 | 53 | 4,8 | 97 | F | N |
| 14IBC117-75-H | 117 | 75 | 9,5 | 18 | 53 | 4,8 | 97 | F | H |
| 14IBC117-75-HT | 117 | 75 | 9,5 | 18 | 53 | 4,8 | 97 | F | HT |
| 14IBC125-85-N | 125 | 85 | 9,5 | 18 | 50 | 4,8 | 98 | F | N |
| 14IBC125-85-H | 125 | 85 | 9,5 | 18 | 50 | 4,8 | 98 | F | H |
| 14IBC125-85-HT | 125 | 85 | 9,5 | 18 | 50 | 4,8 | 98 | F | HT |
| 14IBC135-98-N | 135 | 98 | 8,5 | 20 | 50 | 4,3 | 102 | F | N |
| 14IBC135-98-H | 135 | 98 | 8,5 | 20 | 50 | 4,3 | 102 | F | H |
| 14IBC135-98-HT | 135 | 98 | 8,5 | 20 | 50 | 4,3 | 102 | F | HT |
| 14IBC160-113-N | 160 | 113 | 13 | 20 | 18 | 6,5 | 101 | R | N |
| 14IBC160-113-H | 160 | 113 | 13 | 20 | 18 | 6,5 | 101 | R | H |
| 14IBC160-113-HT | 160 | 113 | 13 | 20 | 18 | 6,5 | 101 | R | HT |