

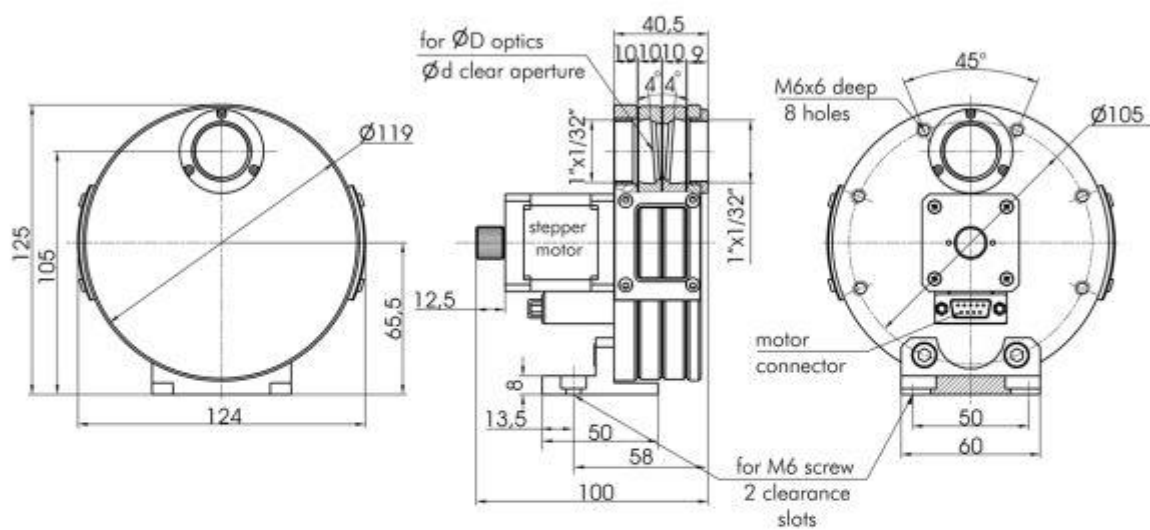


Manufacturer of Opto-Mechanical equipment for research, industry and education

P.O. Box 377
03012 Vilnius, Lithuania
Phone: +370-5-2651474
Fax: +370-5-2651483
E-mail: sales@standa.lt
http://www.standa.lt

Motorized Closed Variable Two Wheels Attenuators

10MCWA168

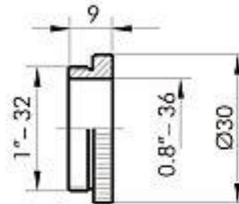


Model	D, mm	d, mm
10MCWA168-20	Ø20	Ø18
10MCWA168-1*	Ø25.4	Ø23

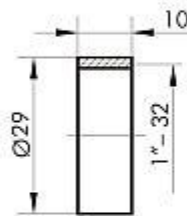
10MCWA168-1* - without filters.



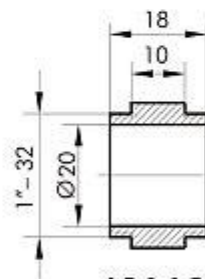
Adapters for Attenuators



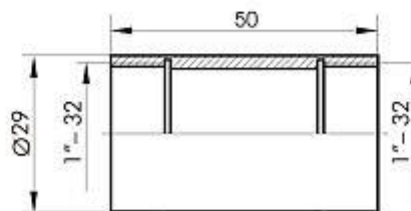
10AR168



10R168



10A168



10AT168