

Motorized Vertical Stages

8MVT40-13 series

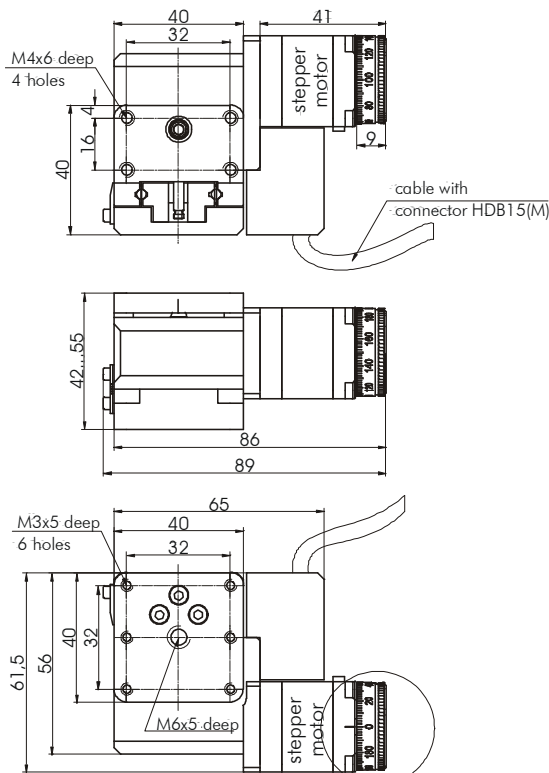


8MVT40-13

***Test condition:**

- Stepper motor: 2 phase bipolar wiring; phase resistance 5.6Ω; 200 steps per revolution; step angle – 1.8°; current – 0.67A;
- STANDA controllers;
- 36V.

Motors of other types are available



SPECIFICATIONS

Model	8MVT40-13	8MVT40-13-05	8MVT40-13-1
Travel range, mm	13	13	13
Lead screw pitch, mm	0.25	0.5	1
Resolution in full step*, μm	0.021	0.042	0.083
Max. speed*, mm/s	0.104	0.208	0.416
Load capacity, kg	6	6	6
Weight, kg	0.45	0.45	0.45

Recommended STANDA Controllers



8SMC1-USBhF



8SMC3-RS232



8SMC2

MOTORIZED TRANSLATION STAGES

www.standa.LT

Manufacturer of Opto-Mechanical equipment for research, industry and education

Standa Ltd.
 P.O.Box 377
 LT 03012 Vilnius
 LITHUANIA
 Phone: +370-5-2651474
 Fax: +370-5-2651483
 E-mail: sales@standa.LT

