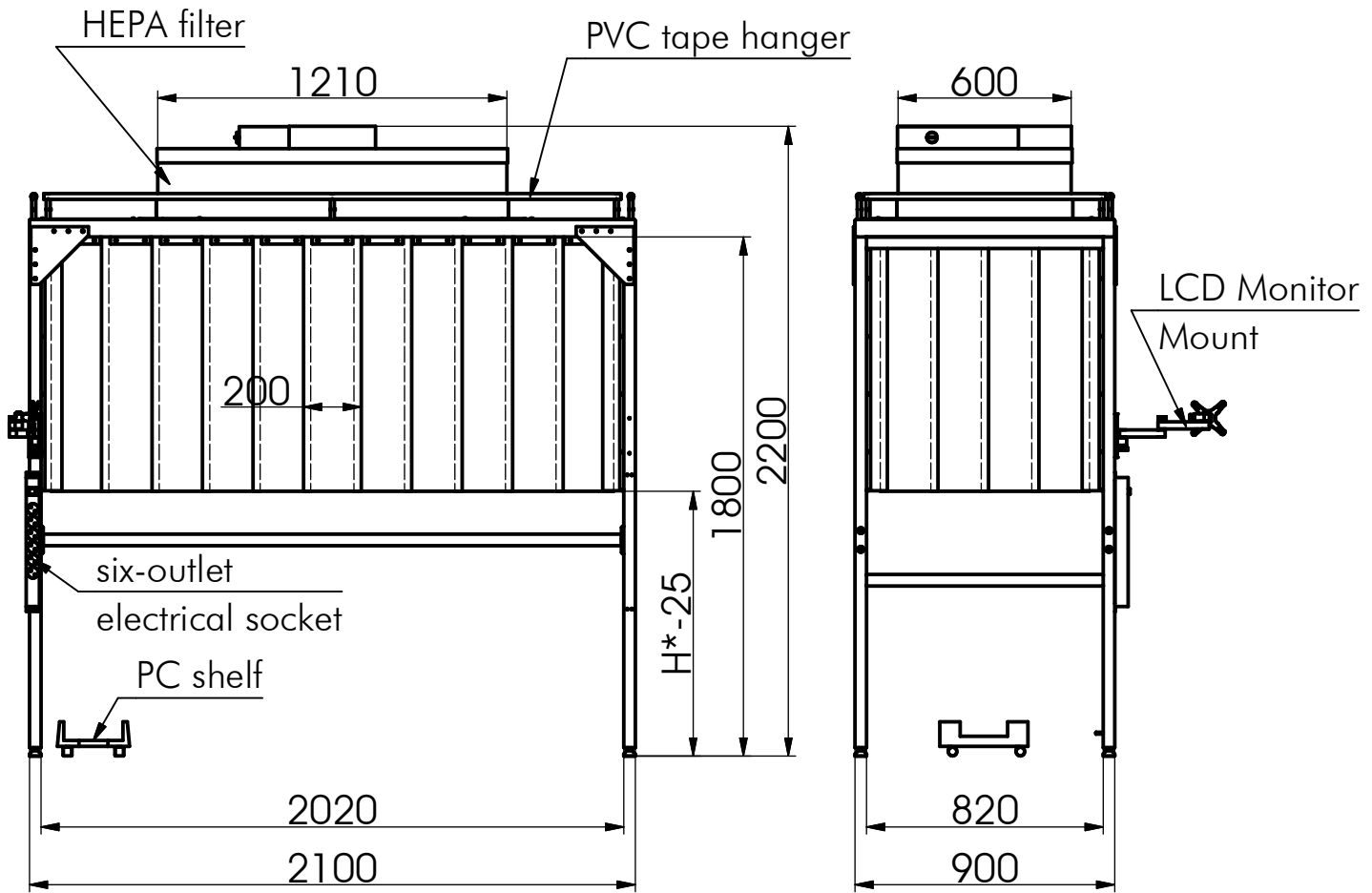




Laminar Workstation

1CB-08-20



H*-total height of table top

