

Laminar Tabletop Workstation

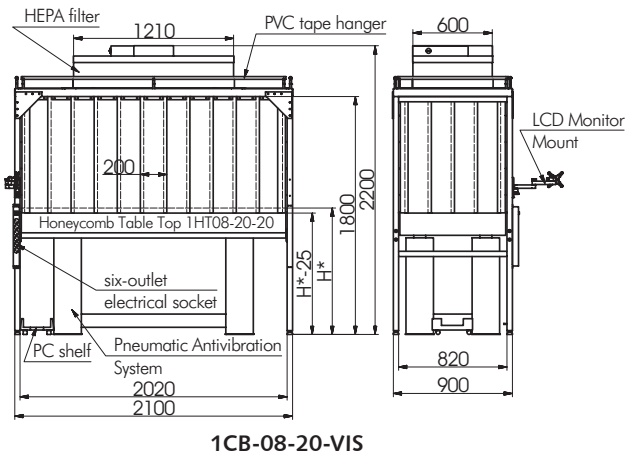
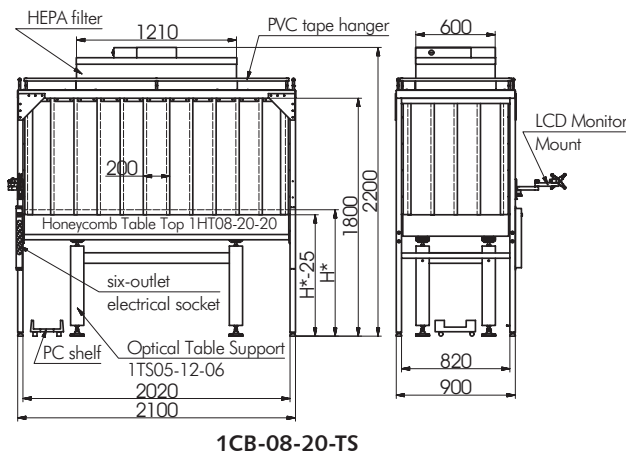
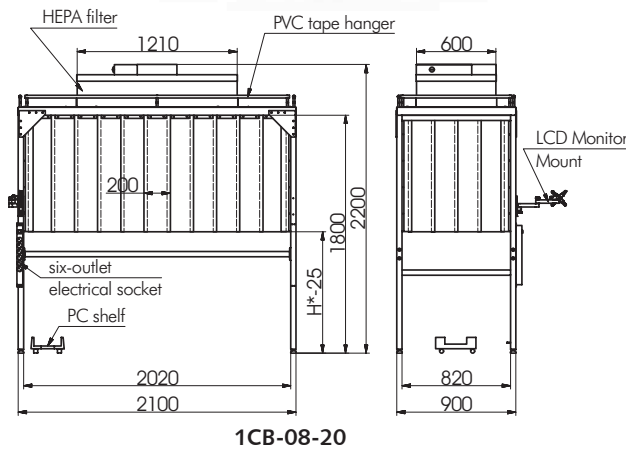
1CB



- Extremely quiet fan <50 dBA
- Odorless plastic curtains
- HEPA air filter

Laminar Flow Workstation 1CB is designed to provide a clean environment in any laboratory or workshop. Our filtering unit **1CB** consists of a **HEPA air filter** and a **steel frame** complete with odorless plastic curtains. The vertical aligned flow of filtered air ensures that clean air flows uniformly over the workstation, keeping your samples, or optics in a clean managed environment.

In a laser optics manufacturing, a laser repair or research environment, cleanliness of optical surfaces is imperative. The millions of particles present in most laboratories can fall onto optical surfaces, or they can be carried to optical surfaces by the energy in a laser beam. Once on the surface the lasing beam will burn the particles onto the coating, causing attenuation of the intra cavity energy. In addition the burnt particle will absorb more energy and cause localized heating on the surface of the optic. The localized heating can cause thermal lensing and damage to the optical coating. When adding the **1CB** to your optical table you remove the particles and therefore the potential damage to your optics.



ORDERING INFORMATION

As an example model – **1CB-08-20-TS** combines the proven **1HT08-20-20 (800 × 2000 × 200 mm) honeycomb tabletop**, the sturdy **1TS05-12-06-AR table support** and the NEW **1CT-08-20 air filter** unit complete with curtains. For greater **stability** and **performance** we suggest ordering a **Vibration Isolation System 1VIS (1CB-08-20-VIS)** instead of static rigid supports 1TS.

If you already have your optical table set up and wish to add the filtered air unit to your table, we can provide any custom size to suit your needs. Quantity of **HEPA filters** can be increased according to the customer's application dimensions.



www.standa.it

e-mail: sales@standa.it

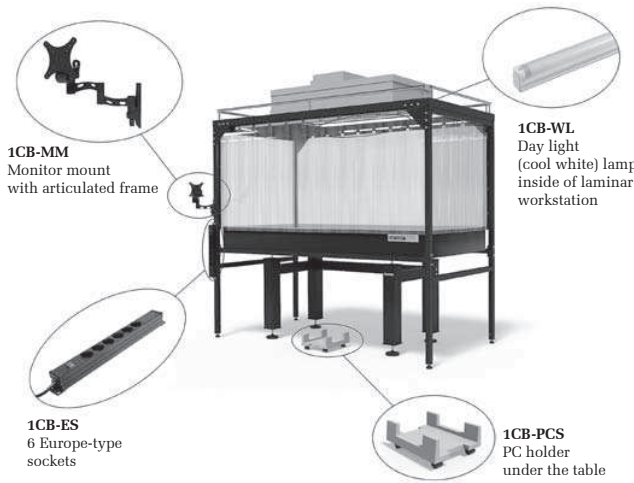


Fax: +370-5-2651483

Phone: +370-5-2651474



standa



Laminar Tabletop workstation included features:

- 1CB-MM** – Monitor mount with articulated frame
- 1CB-ES** – 6 Europe-type sockets
- 1CB-WL** – Day light (cool white) lamp
- 1CB-PCS** – PC holder under the table

Featured units can be also ordered separately.

Filter specification

- Low sound, low watts, low profile, and low operating costs.
- Three speed switch features low, medium, and high settings; standard on all 2 ft x 4 ft (600 mm x 1210 mm) and 2 ft x 3.5 ft (600 mm x 1057 mm) units.
- Solid-state speed control standard on 2 ft x 2 ft (600 mm x 600 mm) and 2 ft x 3 ft (600 mm x 905 mm) units.
- Forward-inclined centrifugal-type fan.
- High Efficiency Particulate Air (HEPA) UL 900 Filter: 99.99 % efficient @ 0.3 micron.
- Extremely quiet <50 dBA.
- Snap-in pre filter allows for easy replacement and maintenance.
- Mill finished aluminum exterior.
- Tested to IEST recommended RPC standards.
- UL listed (120 V, 240 V, 277 V) with standard UL 900 filter.

ORDERING INFORMATION

1CB-08-20

Laminar Flow Workstation
Air filter unit complete with curtains, for tabletop sized 800x2000 mm.
Does not include tabletop or its legs.

1CB-08-20-TS

Includes:

Laminar Flow Workstation with rigid Table Supports

- tabletop 1HT08-20-20 (800 x 2000 x 200 mm);
- rigid table support 1TS05-12-06-AR;
- 1CB-08-20 air filter unit complete with curtains.

1CB-08-20-VIS

Includes:

Laminar Flow Workstation with Vibration Isolation System

- tabletop 1HT08-20-20 (800 x 2000 x 200 mm);
- pneumatic vibration isolation system 1VIS22-70-4;
- 1CB-08-20 air filter unit complete with curtains.

1CB-ES

1CB-MM

1CB-PCS

1CB-WL

Europe-type sockets (additional)

Monitor mount with articulated frame (additional)

PC holder under the table (additional)

Day light (cool white) lamp (additional)



Optical Tables	1
Brackets & Rails	2
Base Mounts & Accessories	3
Optical Mounts	4
Optical Positioners	5
Base Positioners	6
Translation & Rotation Stages	7
Motorised Positioners & Controllers	8
Fine Adjustment Screws	9
Opto-Mechanics & Sets	10
Light Test & Measurement Instruments	11
Lasers & Laser Accessories	12