

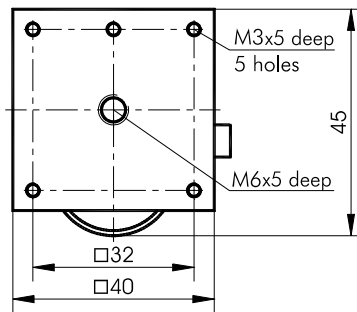
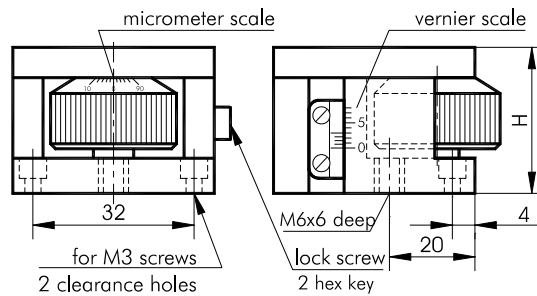
Aluminium Ball Bearing Vertical Stages

7VT174



- Travel range 5 mm and 10 mm
- Lockable
- Stacks directly with stages of 174 and 184 series

Adjustable Height Post Holder
5HP18
see page 5-32



7R174 stacked on 7VT174-5

Model	Travel, mm	H, mm	Weight, kg
7VT174-5	5	29...34	0.15
7VT174-10	10	35...45	0.17

SPECIFICATIONS

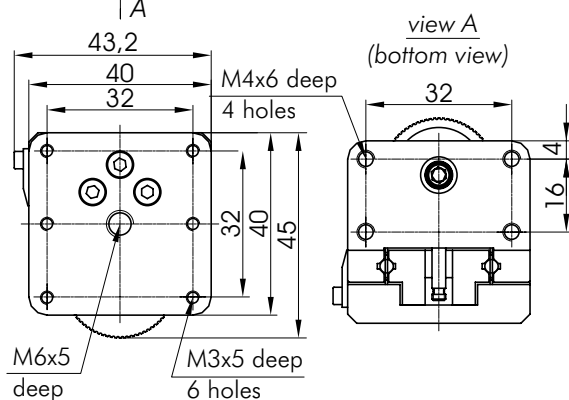
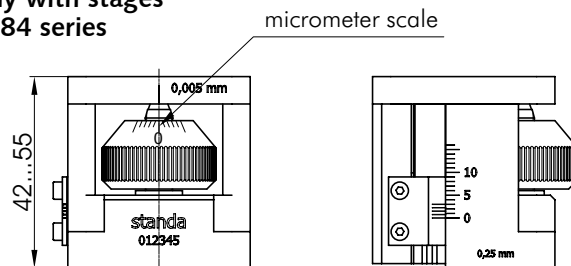
Sensitivity	1 μm
Tracking accuracy	1 μm
Reading accuracy	5 μm
Load capacity	3 kg
Material	Aluminium
Finish	Black anodized

Vertical Stage

7VT40-13



- Travel range 13 mm
- Stacks directly with stages of 174 and 184 series



NEW

SPECIFICATIONS

Sensitivity	1 μm
Tracking accuracy	1 μm
Reading accuracy	5 μm
Load capacity	5 kg
Material	Aluminium
Finish	Black anodized
Weight	0.25 kg

Resolution up to 0.03 μm

Specifications of Motorized Vertical Stage 8MVT40-13

See page 8-20



http://www.standa.it

e-mail: sales@standa.it



Fax: +370-5-2651483

Phone: +370-5-2651474



standa



Optical Tables	1
Brackets & Rails	2
Base Mounts & Accessories	3
Optical Mounts	4
Optical Positioners	5
Base Positioners	6
Translation & Rotation Stages	7
Motorised Positioners & Controllers	8
Fine Adjustment Screws	9
Opto-Mechanics & Sets	10
Light Test & Measurement Instruments	11