

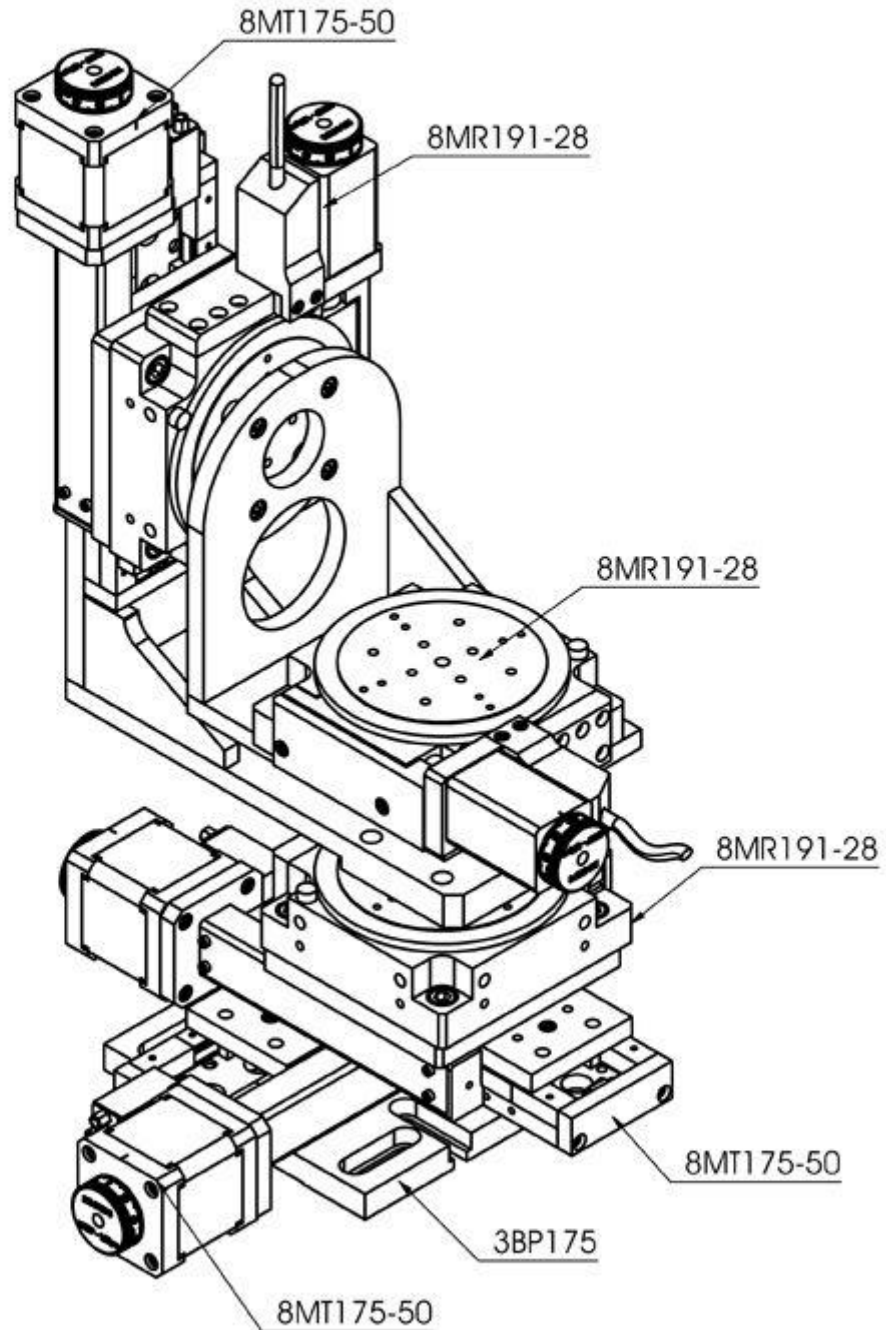


Manufacturer of Opto-Mechanical equipment for research, industry and education

P.O. Box 377
03012 Vilnius, Lithuania
Phone: +370-5-2651474
Fax: +370-5-2651483
E-mail: sales@standa.lt
http://www.standa.lt

6 Axis Motorized Stage

8MT175-50XYZ-8MR191-28-3



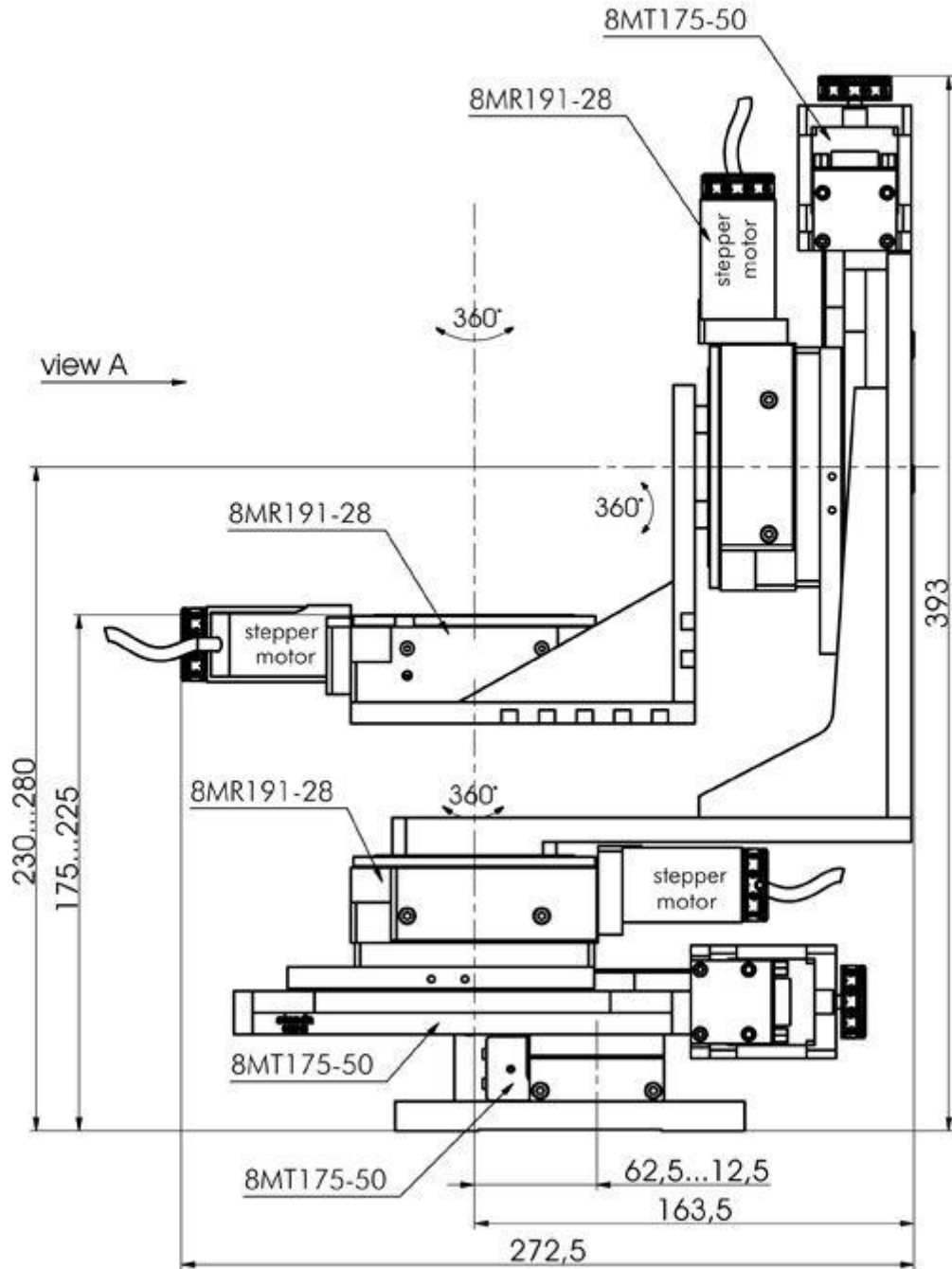


Manufacturer of Opto-Mechanical equipment for research, industry and education

P.O. Box 377
03012 Vilnius, Lithuania
Phone: +370-5-2651474
Fax: +370-5-2651483
E-mail: sales@standa.lt
http://www.standa.lt

6 Axis Motorized Stage

8MT175-50XYZ-8MR191-28-3





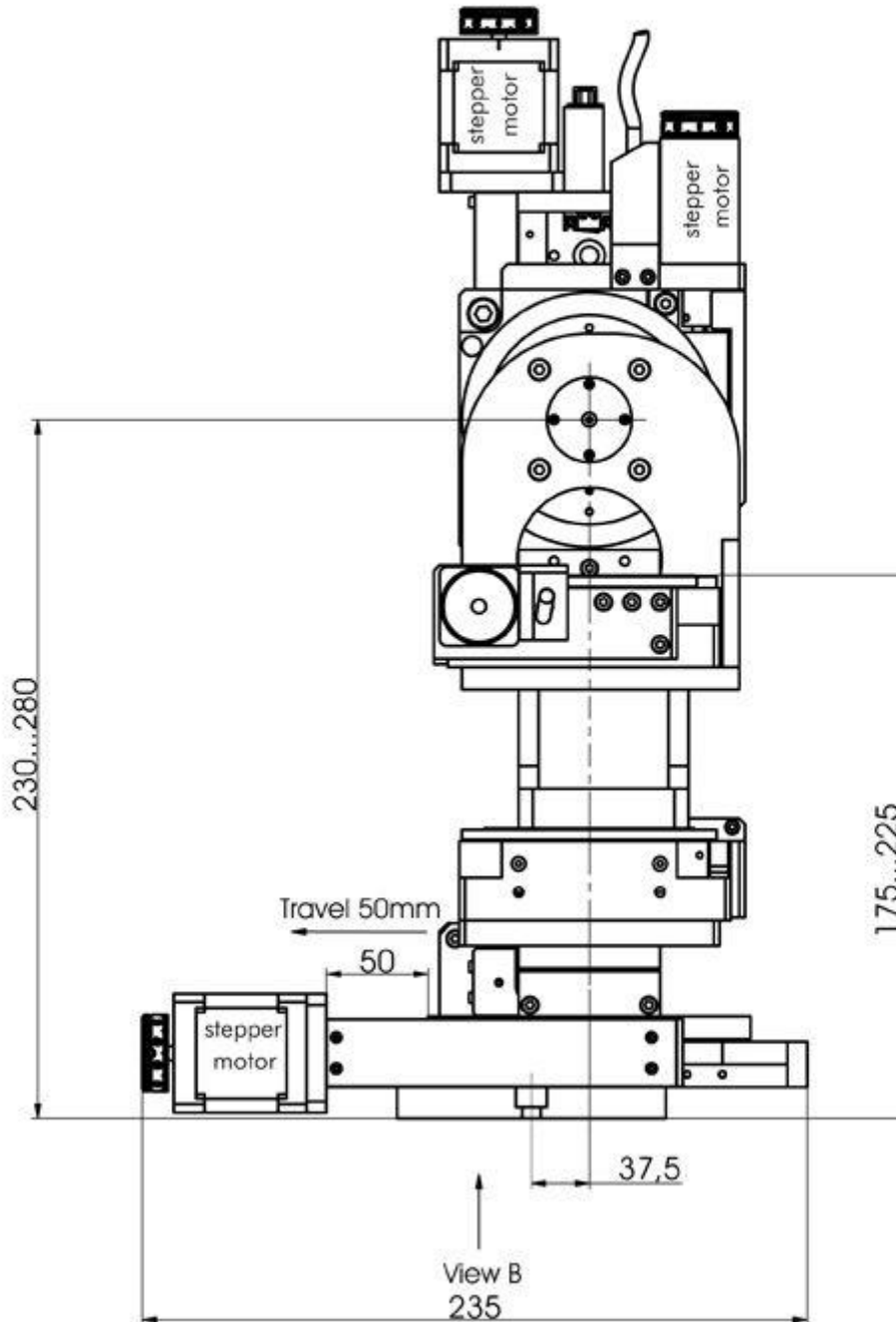
Manufacturer of Opto-Mechanical equipment for research, industry and education

P.O. Box 377
03012 Vilnius, Lithuania
Phone: +370-5-2651474
Fax: +370-5-2651483
E-mail: sales@standa.lt
<http://www.standa.lt>

6 Axis Motorized Stage

8MT175-50XYZ-8MR191-28-3

view A





Manufacturer of Opto-Mechanical equipment for research, industry and education

P.O. Box 377
03012 Vilnius, Lithuania
Phone: +370-5-2651474
Fax: +370-5-2651483
E-mail: sales@standa.lt
<http://www.standa.lt>

6 Axis Motorized Stage

8MT175-50XYZ-8MR191-28-3

View B
(bottom view)

