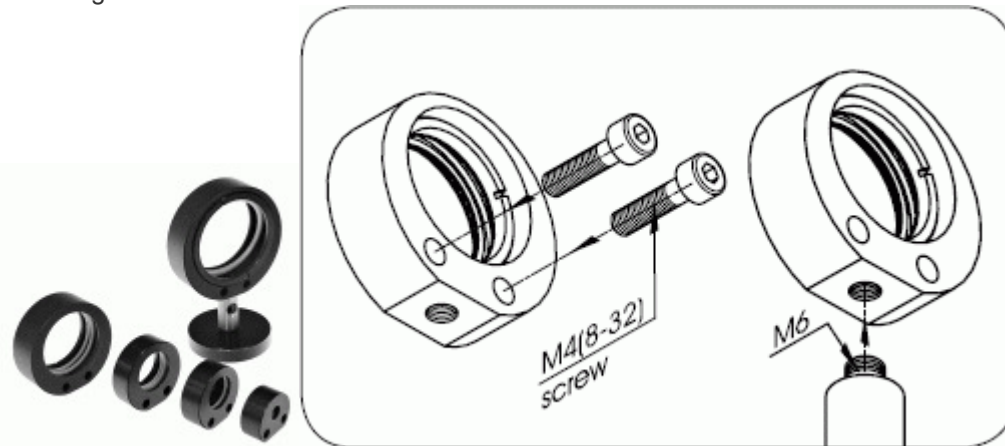


4OCM - Optical Mounts



Optical Component Mounts 4OCM can be used to hold round thin optical elements of standard sizes. Mounts vary in dimensions so as to support diameters from 10 to 50mm (0.5" to 2"). Original design allows to decrease the mount's dimensions and weight. Mounting holes: one M6 and two Ø4.5 mm. Material: black anodized aluminum.



Ordering Information

Model	A, mm	B, mm	C, mm	D, mm	E, mm	F, mm	G, mm	Weight
4OCM-10	12.7 (0.5")	26	8	12	10	13.5	8.5	0.01
4OCM-20	20	33	17	12	10	18.8	13.8	0.02
4OCM-25	25.4 (1")	38	23	12	10	21.3	16.3	0.02
4OCM-40	40	53	37	18	16	28.8	23.8	0.04
4OCM-50	50.8 (2")	65	48	18	16	34.8	29.8	0.05
4OCM-75	75	89	72	18	16	46.5	42	0.06

[Optical Mounts, Optical Positioners, Optics Tilt Mounts, Optics Stages...](#) [MORE >](#)